

Gotham VIVID

More and more frequently, exhibition areas involve an accurate selection of light, colour, equipment. The proper mix of these elements creates communication; but true entertainment begins with light. The settings, the colours and positions of displayed products may vary, but the lighting system is hardly ever adapted to every single change.

Housing: Die-cast aluminium with wide cooling fins.

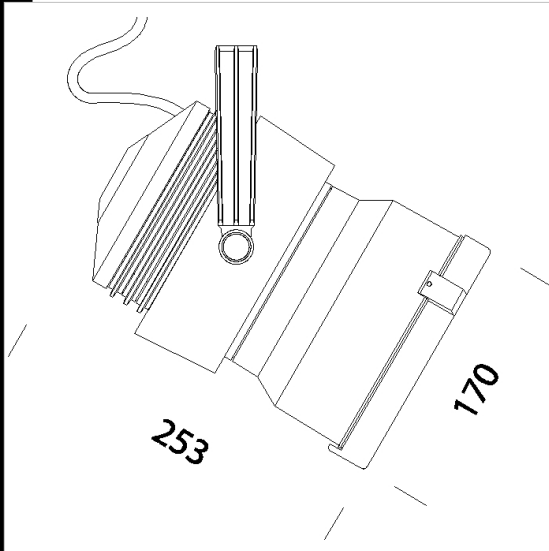
Coating: Powder coated with UV-resistant polyester epoxy paint.

Standard supply: Only supplied with an aluminium bracket for attaching the base or the track mounting adapter.

Regulations: Manufactured in accordance with standards EN60598 – CEI 34 –21. Degree of protection in accordance with standards EN60529.

Power factor: 0.95 Luminous flux maintenance 70%: 50.000h (L70B50)

Photobiological safety class: exempt group EN62471.



Download

DXF 2D
- gothamcom.dxf

Montaggi
- GOTHAM_LED rev0.pdf

Code	Gear	Kg	Lumen Output-K-CRI	WTot	Colour
22260573-00	CLD CELL	2.70	LED COB-3087lm-3000K-CRI 92	32 W	ARGENTO
22260574-00	CLD CELL	2.70	LED COB-3167lm-3000K-CRI 92	34 W	ARGENTO
22260571-00	CLD CELL	2.80	LED COB-2211lm-3000K-40°-CRI>95	26 W	ARGENTO

Accessories



- Mechanical + power adapter



- Universal adapter +



- Base

The reported luminous flux is the flux emitted by the light source with a tolerance of $\pm 10\%$ compared to the indicated value. The W tot column indicates the total wattage absorbed by the system without exceeding 10% of the indicated