

Gotham

More and more frequently, exhibition areas involve an accurate selection of light, colour, equipment. The proper mix of these elements creates communication; but true entertainment begins with light. The settings, the colours and positions of displayed products may vary, but the lighting system is hardly ever adapted to every single change.

Housing: Die-cast aluminium with wide cooling fins.

Reflector: Oxidised polished aluminium.

Coating: Powder coated with UV-resistant polyester epoxy paint, .

Lampholder: Ceramic with silver-plated contacts.

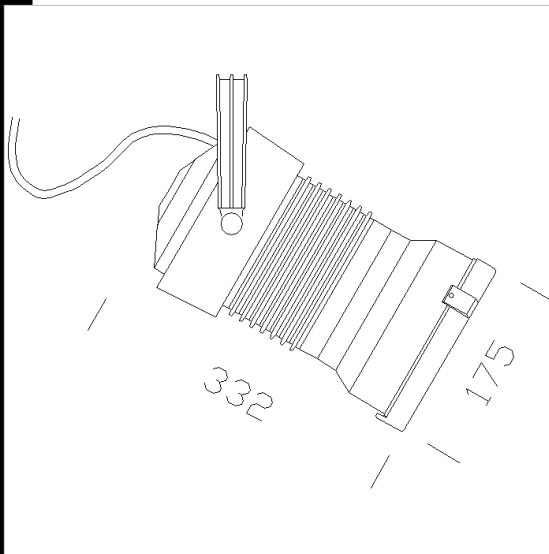
Electric gear: Transformer or traditional ballast with thermal protection.

Standard supply: Only supplied with an aluminium bracket for attaching the base or the track mounting adapter.

Regulations: Manufactured in accordance with standards EN60598 – CEI 34 –21. Degree of protection in accordance with standards EN60529.

Lamps: Supplied with Mastercolour lamps.

Front protective glass. This version is only supplied with bracket and power cable. To be used with power adapter, plus mechanical attachment acc. 93371/93315/93334 for application on track.



Download

DXF 2D

- golphjm.dxf

3DS

- ghotamcdmts.3ds

3DM

- ghotamcdmts.3dm

Montaggi

- 773500 daryl-gotham.pdf

Code	Gear	Kg	Lumen-K-CRI	WTot	Base	Colour
22260477-08	CELL	3.35	CDM-TS 150-13250lm-3000K-Ra 1b	160 W	Rx7s	SILVER
22260473-08	CELL	3.15	CDM-TS 70-6500lm-3000K-Ra 82	80 W	Rx7s	SILVER

Accessories



- Base



- Angle support



- Clamp



- Anti-dazzle shutter Ø 150



- Clear glass mm.123



- Universal adapter + Mechanical



- Mechanical + power adapter

The reported luminous flux is the flux emitted by the light source with a tolerance of $\pm 10\%$ compared to the indicated value. The W tot column indicates the total wattage absorbed by the system without exceeding 10% of the indicated