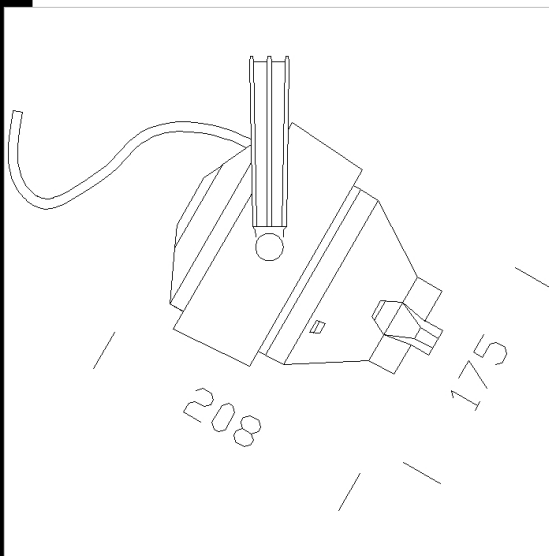


Download

DXF 2D
- gothdcr.dxf

Montaggi
- 773500 daryl-gotham.pdf



Gotham CDM-R

More and more frequently, exhibition areas involve an accurate selection of light, colour, equipment. The proper mix of these elements creates communication; but true entertainment begins with light. The settings, the colours and positions of displayed products may vary, but the lighting system is hardly ever adapted to every single change.

Housing: Die-cast aluminium with wide cooling fins.

Reflector: Oxidised polished aluminium.

Coating: Powder coated with UV-resistant polyester epoxy paint, .

Lampholder: Ceramic with silver-plated contacts.

Standard supply: Only supplied with an aluminium bracket for attaching the base or the track mounting adapter.

Regulations: Manufactured in accordance with standards EN60598 – CEI 34 –21. Degree of protection in accordance with standards EN60529.

Lamps: Supplied with CDM-Rmini Elite

Version supplied with bracket and electric cable only. To be used with the electric adapter plus mechanical connector (acc. 93371/93315/93334) for track mounting.

Code	Gear	Kg	Lumen-K-CRI	WTot	Base	Colour
22260171-00	CELL	1.55	CDM-R mini 50 elite-7000cd-3000K-40°-Ra 90	58 W	Gx10	SILVER
22260172-00	CELL	1.90	CDM-R mini 50 elite-7000cd-3000K-40°-Ra 90	58 W	Gx10	SILVER
22260173-00	CELL	1.55	CDM-R mini 50 elite-7000cd-3000K-40°-Ra 90	58 W	Gx10	SILVER

Accessories



- Base



- Angle support



- Clamp



- Universal adapter +



- Mechanical + power adapter

The reported luminous flux is the flux emitted by the light source with a tolerance of $\pm 10\%$ compared to the indicated value. The W tot column indicates the total wattage absorbed by the system without exceeding 10% of the indicated