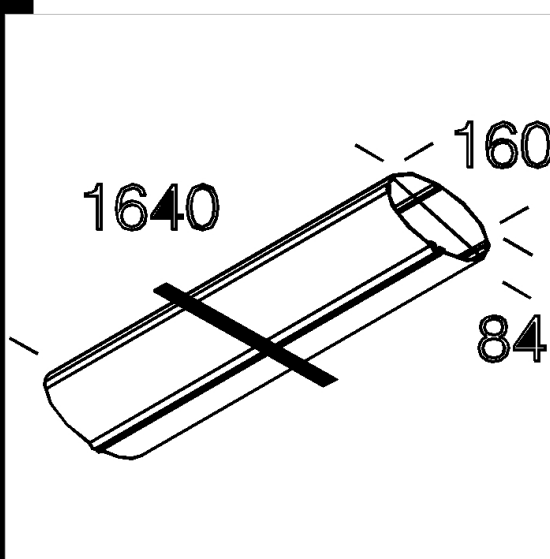


Structural module

With cover. For continuous lines, straight joint and end cap are required.

Download

DXF 2D
- v_235216.dxf



Code	Kg	WTot	Colour
22235276-00	3,75	0 W	GREY
22235216-00	3,75	0 W	WHITE
22235266-00	3,75	0 W	SILVER

The reported luminous flux is the flux emitted by the light source with a tolerance of $\pm 10\%$ compared to the indicated value. The W tot column indicates the total wattage absorbed by the system without exceeding 10% of the indicated