

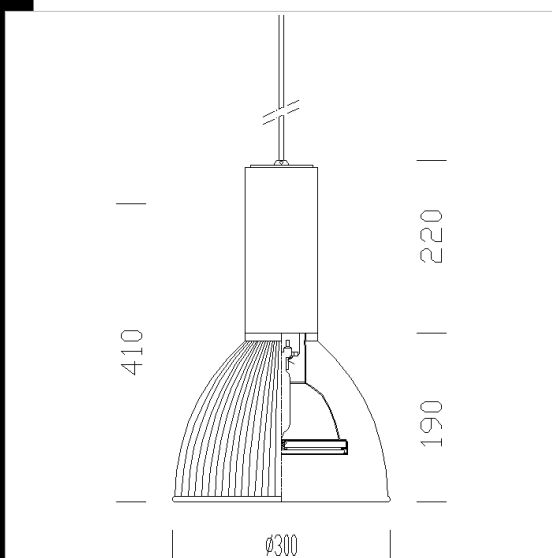
Download

DXF 2D  
- 221873.dxf



## Bell 4

Housing: Die-cast aluminium with cooling fins.  
Coating: Fluid-coated with a humidity resistant, UV-stabilised acrylic-resin paint.  
Lampholder: Ceramic with silver-plated contacts, or polycarbonate with phosphorous bronze contacts.  
Regulations: Manufactured in accordance with standards EN60598 – CEI 34 –21. Degree of protection in accordance with standards EN60529.



Code	Gear	Kg	Watt	Base	Lamps	Colour
22221873-00	CELL	5,25	SDW-T 100	PG12	4800lm-2550K-Ra 80	ALUMINIUM
22221874-00	CELL	3,70	FLC 1x42T/E	Gx24q-4	3200lm-3000K-Ra 1b	ALUMINIUM
22221876-00	CELL	3,25	CDM-T 70	G12	6600lm-3000K-Ra 1b	ALUMINIUM
22221875-00	CELL	3,20	CDM-T 35	G12	3500lm-3000K-Ra 1b	ALUMINIUM