



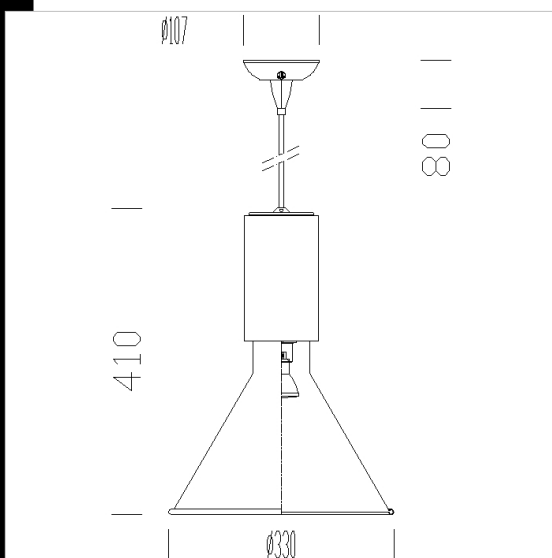
Download

DXF 2D  
- 221771.dxf



## Bell 2C

Housing: Die-cast aluminium with cooling fins.  
 Diffuser: Turned anodised and polished aluminium.  
 Coating: Fluid-coated with a humidity resistant, UV-stabilised acrylic-resin paint.  
 Lampholder: Ceramic with silver-plated contacts, or polycarbonate with phosphorous bronze contacts.  
 Regulations: Manufactured in accordance with standards EN60598 – CEI 34 –21. Degree of protection in accordance with standards EN60529.



Code	Gear	Kg	Watt	Base	Lamps	Colour
22221771-00	CELL	2,00	BRITE SPOT 35	Gx10	4000cd-3000K-Ra 1b	ALUMINIUM