



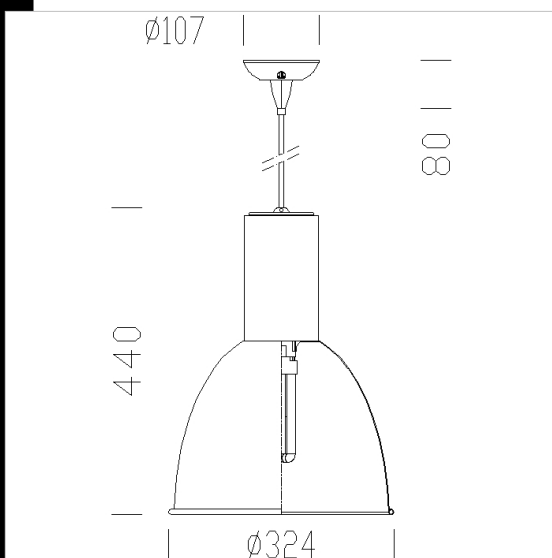
Bell 3

Housing: Die-cast aluminium with cooling fins.
 Diffuser: Turned anodised and polished aluminium.
 Coating: Fluid-coated with a humidity resistant, UV-stabilised acrylic-resin paint.
 Lampholder: Ceramic with silver-plated contacts, or polycarbonate with phosphorous bronze contacts.
 Regulations: Manufactured in accordance with standards EN60598 – CEI 34 –21. Degree of protection in accordance with standards EN60529.

Download

DXF 2D
 - bell.dxf

Montaggi
 - bell.pdf



Code	Gear	Kg	Watt	Base	Lamps	Colour
22221572-00	CELL	3,25	CMH-E 70	E27	5100lm-4100k-Ra 2a	ALUMINIUM
22221573-00	CELL	1,95	CDM-R111 70	Gx8.5	2850lm-3000K-Ra 1b	ALUMINIUM