



**Download**

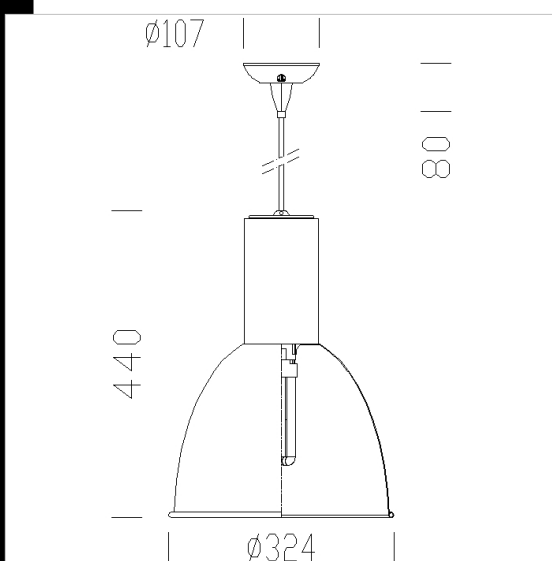
DXF 2D  
- bell.dxf

Montaggi  
- bell.pdf



## Bell 2

Housing: Die-cast aluminium with cooling fins.  
 Diffuser: Turned anodised and polished aluminium.  
 Coating: Fluid-coated with a humidity resistant, UV-stabilised acrylic-resin paint.  
 Lampholder: Ceramic with silver-plated contacts, or polycarbonate with phosphorous bronze contacts.  
 Regulations: Manufactured in accordance with standards EN60598 – CEI 34 –21. Degree of protection in accordance with standards EN60529.



Code	Gear	Kg	Watt	Base	Lamps	Colour
22221571-00	CELL	3,35	BRITE SPOT 35	Gx10	4000cd-3000K-Ra 1b	ALUMINIUM