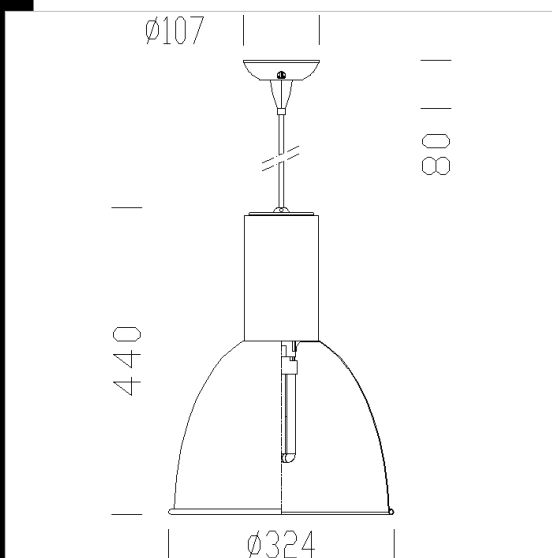




Bell 1

Housing: Die-cast aluminium with cooling fins.
 Diffuser: Turned anodised and polished aluminium.
 Coating: Fluid-coated with a humidity resistant, UV-stabilised acrylic-resin paint.
 Lampholder: Ceramic with silver-plated contacts, or polycarbonate with phosphorous bronze contacts.
 Regulations: Manufactured in accordance with standards EN60598 – CEI 34 –21. Degree of protection in accordance with standards EN60529.



Code	Gear	Kg	Watt	Base	Lamps	Colour
22221476-00	CELL	2,10	FLC 1x42T/E	Gx24q-4	3200lm-3000K-Ra 1b	ALUMINIUM
22221474-09	CELL-E	1,90	FLC 1x32T/E	Gx24q-3	--	ALUMINIUM
22221474-12	CELL-D	1,90	FLC 1x32T/E	Gx24q-3	--	ALUMINIUM
22221472-09	CELL-E	2,00	FLC 1x26D/E	G24q-3	1800lm-3000K-Ra 1b	ALUMINIUM
22221476-94	CELL-D-E	1,92	FLC 1x42T/E	Gx24q-4	--	ALUMINIUM
22221474-00	CELL	2,10	FLC 1x32T/E	Gx24q-3	2400lm-3000K-Ra 1b	ALUMINIUM
22221472-94	CELL-D-E	2,00	FLC 1x26D/E	G24q-3	1800lm-3000K-Ra 1b	ALUMINIUM
22221476-09	CELL-E	1,92	FLC 1x42T/E	Gx24q-4	--	ALUMINIUM
22221472-00	CELL	2,10	FLC 1x26D/E	G24q-3	1800lm-3000K-Ra 1b	ALUMINIUM
22221472-12	CELL-D	2,00	FLC 1x26D/E	G24q-3	1800lm-3000K-Ra 1b	ALUMINIUM
22221474-94	CELL-D-E	1,90	FLC 1x32T/E	Gx24q-3	2400lm-3000K-Ra 1b	ALUMINIUM
22221476-12	CELL-D	1,90	FLC 1x42T/E	Gx24q-4	--	ALUMINIUM

Download

DXF 2D
- bell.dxf

Montaggi
- bell.pdf