



Compendio A - LED

In large areas and shopping centres, the light should be agreeable to the eye, and enhance the characteristics of the products on display. The reflector's design is also critical: it should be pleasant looking and blend harmoniously with the surroundings. These are the requirements we had in mind when we created the Compendio series.

Housing: Die-cast aluminium with cooling fins.

Diffuser: In aluminium.

Coating: Humidity resistant acrylic-resin liquid paint, UV-stabilised .

Regulations: Manufactured in accordance with standards EN60598 – CEI 34 –21. Degree of protection in accordance with standards EN60529.

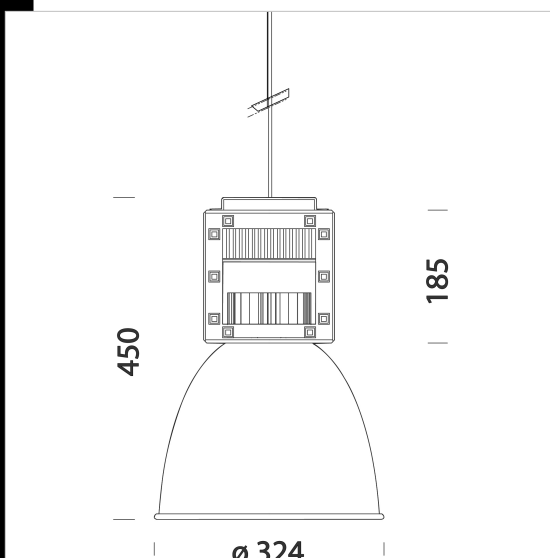
LED COB VIVID 24W - 2550lm - CRI>95

LED COB 49W - 3000K - 6000lm - CRI 92

Power factor: 0.95

Luminous flux maintenance 80%: 50.000h (L80B20).

Photobiological safety class: exempt group EN62471.



Download

DXF 2D
- compendioaa.dxf

Code	Gear	Kg	Lumen Output-K-CRI	WTot	Colour
22221310-00	CLD CELL-D	3,14	LED COB-1337lm-3000K-CRI>95	26 W	BIANCO
22221311-00	CLD CELL-D	3,62	LED COB CREE-3191lm-3000K-CRI 92	53 W	BIANCO

The reported luminous flux is the flux emitted by the light source with a tolerance of $\pm 10\%$ compared to the indicated value. The W tot column indicates the total wattage absorbed by the system without exceeding 10% of the indicated