



Download

DXF 2D  
- rios.dxf



## Rio - LED PREMIUM

In different commercial sectors lighting systems should meet specific requirements, such as for example, emphasise the colour of food or create the right setting for displaying garments, household articles as well as the most exclusive items. All this can be achieved with the new COB LED technology available in Premium that, thanks to a larger gamut area, will make: • whites look cleaner and brighter, eliminating the yellow hue of the traditional LEDs, making them closer to the human perception of "pure white" (below the BBL - "Black Body Line" - fig.1). • colours look more saturated, guaranteeing greater recognisability and as a consequence improving the appearance and characteristics of the wares on display.

This floodlight's special design represents an effective complement to the decoration of the interior in which it is installed.

Ideal for commercial premises where lighting is used for many hours a day, or in areas characterised by high-quality, stable-colour functional and accent lighting.

Housing: in die-cast aluminium.

Reflector: in die-cast polished aluminium, high efficiency and anti-glare.

Standard supply: mounted versions.

Coating: Power-coated with a UV-resistant polyester epoxy pain.

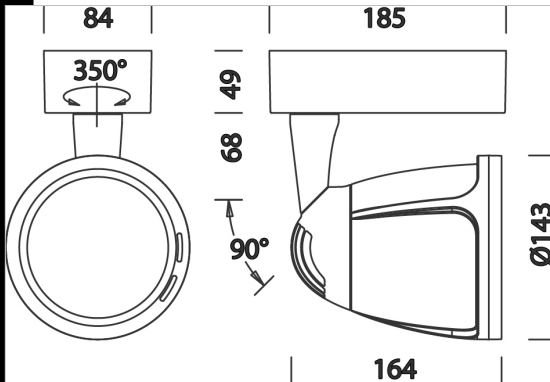
Regulations: Manufactured in accordance with EN 60598-1-CEI 34.21 standards. Degrees of protection in accordance with EN60529 standards.

LED COB 42W - 3000K - 4700lm CRI 90 BELOW BBL - 45°

Luminous flux maintenance 80%: 50.000h (L80B20).

Power factor >0.9

Photobiological safety class: exempt group EN62471.



Code	Gear	Kg	Watt	Base	Lamps	Colour
22206010-05	CLD CELL	3,00	LED COB 42W		4700lm-3000K-CRI>90 below bbl	WHITE
22206030-05	CLD CELL	3,00	LED COB 42W		4700lm-3000K-CRI>90 below bbl	BLACK
22206070-05	CLD CELL	3,00	LED COB 42W		4700lm-3000K-CRI>90 below bbl	SILVER