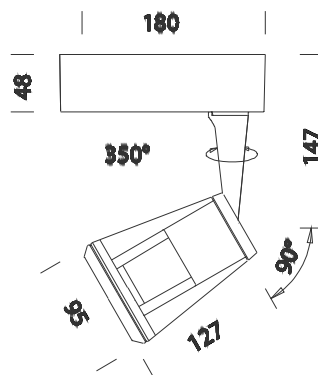


Sonik Q3 Comfort LED



Code	Gear	Kg	Colour	W Tot	lamp
22201770-00	CLD CELL-D	0.90	met. silver	7	LED Sharp 7W-700lm-3000K - 25°-CRI>80

Housing: in die cast aluminium with central shaft to allow wires to pass through

Painting: dust painted using acrylic resin based paint stabilised against UV rays

Lampholder: ceramic type with silver-plated contacts or phosphor bronze contacts

Equipment: supplied complete with small directional alignment bar

Standards: Manufactured in compliance with EN 60598-1-CEI 34.21 standards, with a degree of protection complying with EN 60529 standards.

LED 3000K - 700lm - CRI 80 - 38° - 50000h