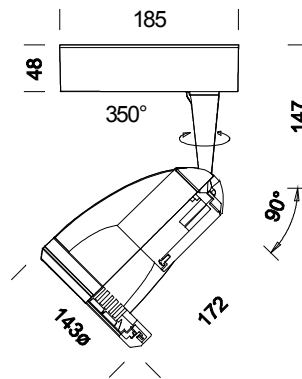


Matrix B6 ESALED



Code	Gear	Kg	Colour	Dimensions	W Tot	lamp
22201375-00	CLD CELL	1.70	met. silver	143x143x340 Ø143	18	ESALED-1800lm-3000K - 10°-CRI 80
22201376-00	CLD CELL	1.70	met. silver	143x143x340 Ø143	18	ESALED-1800lm-3000K - 25°-CRI 80
22201677-00	CLD CELL	1.70	met. silver	143x143x340 Ø143	18	ESALED-1800lm-3000K - 40°-CRI 80
22201378-00	CLD CELL	1.70	met. silver	143x143x340 Ø143	18	ESALED-1800lm-3000K - 60°-CRI 80
22201370-00	CLD CELL	1.70	met. silver	143x143x340 Ø143	18	ESALED-2000lm-4000K - 10°-CRI 80
22201371-00	CLD CELL	1.70	met. silver	143x143x340 Ø143	18	ESALED-2000lm-4000K - 25°-CRI 80
22201372-00	CLD CELL	1.70	met. silver	143x143x340 Ø143	18	ESALED-2000lm-4000K - 40°-CRI 80
22201373-00	CLD CELL	1.70	met. silver	143x143x340 Ø143	18	ESALED-2000lm-4000K - 60°-CRI 80

Housing: In die-cast aluminium with central shaft to carry cables.

Coating: with a UV-stabilised powder acrylic-resin paint

Equipment: Supplied with an aiming bar .

Regulations: Manufactured in accordance with EN 60598-1-CEI 34.21 standards. Degree of protection in accordance with EN60529 standards.

ESALED: 3000/4000K - 1050mA - 1800/2000lm - CRI 80