

Download

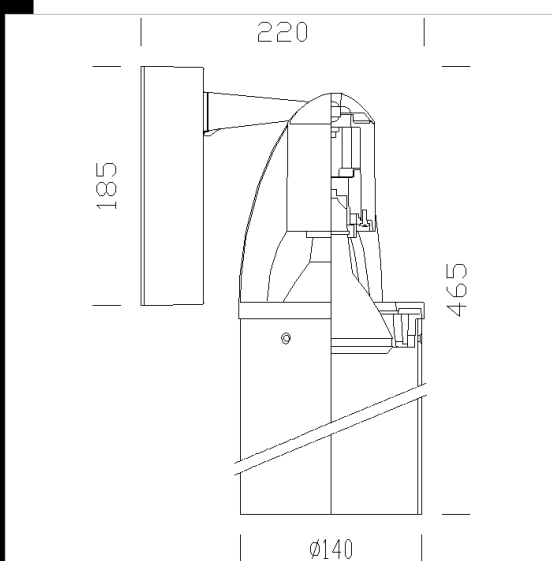
DXF 2D
- matrix_2.dxf

Montaggi
- MATRIX 07-06.pdf



Matrix 2

Housing: In die-cast aluminium with central shaft to carry cables.
Reflector: Polished anodised aluminium.
Diffuser: Tempered glass .
Coating: with a UV-stabilised powder acrylic-resin paint
Lampholder: Ceramic with silver-plated contacts
Electric gear: 230 V/50 Hz power supply with electronic ballast or 12V transformer. Silicone wire with fibreglass braid, cross-section 1.0 sqmm.
Equipment: Supplied with an aiming bar .
Regulations: Manufactured in accordance with EN 60598-1-CEI 34.21 standards. Degree of protection in accordance with EN60529 standards.



Code	Gear	Kg	Lumen-K-CRI	WTot	Base	Colour
22201273-00	CELL	2.50	CDM-R 70 PAR30-4850lm-3000K-Ra 85	81 W	E27	SILVER
22201272-00	CLD CELL-D	2.50	CDM-R 35 PAR30-2200lm-3000K-Ra 1b	35 W	E27	SILVER

The reported luminous flux is the flux emitted by the light source with a tolerance of $\pm 10\%$ compared to the indicated value. The W tot column indicates the total wattage absorbed by the system without exceeding 10% of the indicated