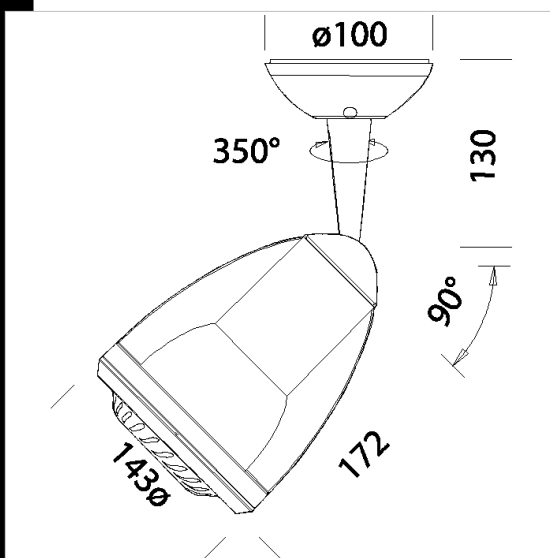


Matrix B5 PAR 30 LED 220-240V - Base version

Housing: In die-cast aluminium with central shaft to carry cables.
 Coating: with a UV-stabilised powder acrylic-resin paint
 Equipment: Supplied with an aiming bar .
 Regulations: Manufactured in accordance with EN 60598-1-CEI 34.21 standards. Degree of protection in accordance with EN60529 standards
 LED PAR: 3000K - CRI80
 Luminous flux maintenance L70B50: 50.000h.
 Power factor >0.9
 Photobiological safety class: exempt group EN62471.



Code	Gear	Kg	Watt	Base	Lamps	Colour
22200831-00	CLD CELL-D	1,40	LED PAR30 10W	E27	500lm-3000K-CRI 80	BLACK
22200871-00	CLD CELL-D	1,75	LED PAR30 10W	E27	500lm-3000K-CRI 80	SILVER
22200811-00	CLD CELL-D	1,75	LED PAR30 10W	E27	500lm-3000K-CRI 80	WHITE

Accessories



- Conveyor mm.133

Download
 DXF 2D
 - 200871.dxf