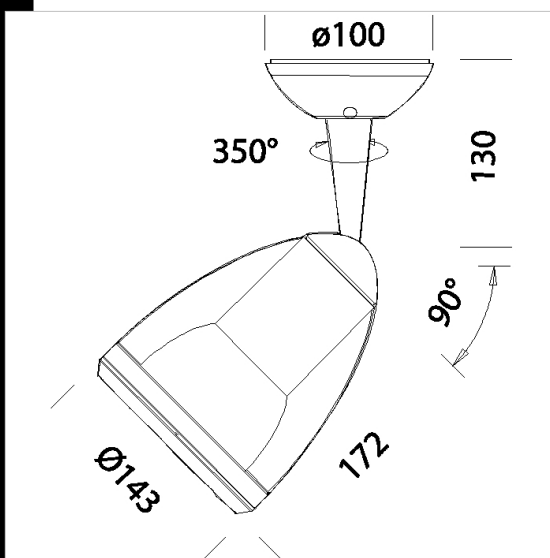


## Matrix B5 LED111 - Base version

Housing: In die-cast aluminium with central shaft to carry cables.  
 Coating: with a UV-stabilised powder acrylic-resin paint  
 Equipment: Supplied with an aiming bar .  
 Regulations: Manufactured in accordance with EN 60598-1-CEI 34.21 standards. Degree of protection in accordance with EN60529 standards.  
 LED: 1800lm - 3000K - CRI80 - 24° - DIMM 1/10V  
 Luminous flux maintenance L70B50: 50.000h.  
 Power factor >0.9  
 Photobiological safety class: exempt group EN62471.



Code	Gear	Kg	Watt	Base	Lamps	Colour
22200810-00	CLD CELL	1,25	LED white	-	1800lm-3000K - 24°-CRI 83	WHITE
22200830-00	CLD CELL	1,29	LED white	-	1800lm-3000K - 24°-CRI 83	BLACK
22200870-00	CLD CELL	1,30	LED white	-	1800lm-3000K - 24°-CRI 83	SILVER

Download  
 DXF 2D  
 - 200870.dxf