

## Matrix B3 - Base

Housing: In die-cast aluminium with central shaft to carry cables.  
 Reflector: Polished anodised aluminium.  
 Diffuser: Tempered glass .

Coating: with a UV-stabilised powder acrylic-resin paint

Lampholder: Ceramic with silver-plated contacts

Electric gear: 230 V/50 Hz power supply with electronic ballast or 12V transformer. Silicone wire with fibreglass braid, cross-section 1.0 sqmm.

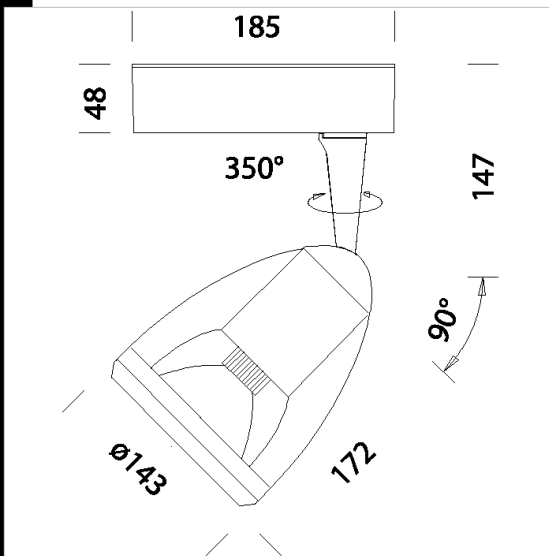
Equipment: Supplied with an aiming bar .

Regulations: Manufactured in accordance with EN 60598-1-CEI 34.21 standards. Degree of protection in accordance with EN60529 standards.

CDM Elite Lamps: suitable for shopping centres, ideal for enhancing the goods displayed.

- Maintenance cost reduction
- 10% increase in energy efficiency in contrast with traditional lamps
- Excellent color rendering (Ra 90)
- Improved light levels (twice as powerful)

CDM-TC Elite 50W: 25% longer lifespan, 30% energy saving and lower power consumption compared to Elite 70W



### Download

DXF 2D  
 - matrixb3bas.dxf

Montaggi  
 - MATRIX 07-06.pdf

Code	Gear	Kg	Lumen-K-CRI	WTot	Base	Colour
22200615-00	CELL	1.65	CDM-TC 35 elite FL-3900lm-3000K-Ra 90	47 W	G8.5	WHITE
22200676-00	CELL	1.65	CDM-TC 70 elite FS-7700lm-3000K-Ra 90	83 W	G8.5	SILVER
22200632-00	CELL	1.65	CDM-TC 35 elite FM-3900lm-3000K-Ra 90	47 W	G8.5	BLACK
22200677-00	CELL	1.65	CDM-TC 50 elite FM-5400lm-3000K-Ra 90	58 W	G8.5	SILVER
22200630-00	CELL	1.70	CDM-TC 50 elite FS-5400lm-3000K-Ra 90	58 W	G8.5	BLACK
22200634-00	CELL	1.70	CDM-TC 50 elite FL-5400lm-3000K-Ra 90	58 W	G8.5	BLACK
22200673-00	CELL	1.65	CDM-TC 70 elite FM-7700lm-3000K-Ra 90	83 W	G8.5	SILVER
22200672-00	CELL	1.65	CDM-TC 35 elite FM-3900lm-3000K-Ra 90	47 W	G8.5	SILVER
22200617-00	CELL	1.70	CDM-TC 50 elite FM-5400lm-3000K-Ra 90	58 W	G8.5	WHITE
22200671-00	CELL	1.65	CDM-TC 35 elite FS-3900lm-3000K-Ra 90	47 W	G8.5	SILVER
22200635-00	CELL	1.65	CDM-TC 35 elite FL-3900lm-3000K-Ra 90	47 W	G8.5	BLACK
22200614-00	CELL	1.70	CDM-TC 50 elite FL-5400lm-3000K-Ra 90	58 W	G8.5	WHITE
22200637-00	CELL	1.65	CDM-TC 50 elite FM-5400lm-3000K-Ra 90	58 W	G8.5	BLACK
22200613-00	CELL	1.65	CDM-TC 70 elite FM-7700lm-3000K-Ra 90	83 W	G8.5	WHITE
22200670-00	CELL	1.65	CDM-TC 50 elite FS-5400lm-3000K-Ra 90	58 W	G8.5	SILVER
22200612-00	CELL	1.65	CDM-TC 35 elite FM-3900lm-3000K-Ra 90	47 W	G8.5	WHITE
22200678-00	CELL	1.65		83 W		SILVER
22200618-00	CELL	1.80		83 W		WHITE
22200610-00	CELL	1.69	CDM-TC 50 elite FS-5400lm-3000K-Ra 90	58 W	G8.5	WHITE
22200611-00	CELL	1.65	CDM-TC 35 elite FS-3900lm-3000K-Ra 90	47 W	G8.5	WHITE
22200631-00	CELL	1.65	CDM-TC 35 elite FS-3900lm-3000K-Ra 90	47 W	G8.5	BLACK
22200674-00	CELL	1.70	CDM-TC 50 elite FL-5400lm-3000K-Ra 90	58 W	G8.5	SILVER
22200616-00	CELL	1.65	CDM-TC 70 elite FS-7700lm-3000K-Ra 90	83 W	G8.5	WHITE
22200633-00	CELL	1.65	CDM-TC 70 elite FM-7700lm-3000K-Ra 90	83 W	G8.5	BLACK
22200636-00	CELL	1.65	CDM-TC 70 elite FS-7700lm-3000K-Ra 90	83 W	G8.5	BLACK
22200638-00	CELL	1.65		83 W		BLACK
22200675-00	CELL	1.65	CDM-TC 35 elite FL-3900lm-3000K-Ra 90	47 W	G8.5	SILVER

The reported luminous flux is the flux emitted by the light source with a tolerance of  $\pm 10\%$  compared to the indicated value. The W tot column indicates the total wattage absorbed by the system without exceeding 10% of the indicated

### Accessories

Accessories



- Conveyor B3

The reported luminous flux is the flux emitted by the light source with a tolerance of  $\pm 10\%$  compared to the indicated value. The W tot column indicates the total wattage absorbed by the system without exceeding 10% of the indicated