

Matrix B2 - Base

Housing: In die-cast aluminium with central shaft to carry cables.

Reflector: Polished anodised aluminium.

Diffuser: Tempered glass .

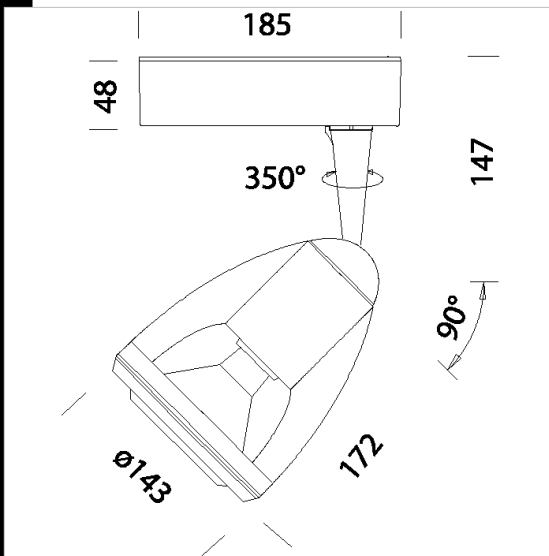
Coating: with a UV-stabilised powder acrylic-resin paint

Lampholder: Ceramic with silver-plated contacts

Electric gear: 230 V/50 Hz power supply with electronic ballast or 12V transformer. Silicone wire with fibreglass braid, cross-section 1.0 sqmm.

Equipment: Supplied with an aiming bar .

Regulations: Manufactured in accordance with EN 60598-1-CEI 34.21 standards. Degree of protection in accordance with EN60529 standards.



Download

DXF 2D
- matrixb2bas.dxf

Montaggi
- MATRIX 07-06.pdf

Code	Gear	Kg	Lumen-K-CRI	WTot	Base	Colour
22200532-00	CELL	1.05	CDM-R111 35-1350lm-3000K-Ra 1b	47 W	Gx8.5	BLACK
22200513-00	CELL	1.65	CDM-R111 70-2850lm-3000K-Ra 1b	83 W	Gx8.5	WHITE
22200533-00	CELL	1.65	CDM-R111 70-2850lm-3000K-Ra 1b	83 W	Gx8.5	BLACK
22200573-00	CELL	1.65	CDM-R111 70-2850lm-3000K-Ra 1b	83 W	Gx8.5	SILVER
22200571-00	CELL	1.05	CDM-R111 35-1350lm-3000K-Ra 1b	47 W	Gx8.5	SILVER
22200512-00	CELL	1.05	CDM-R111 35-1350lm-3000K-Ra 1b	47 W	Gx8.5	WHITE

The reported luminous flux is the flux emitted by the light source with a tolerance of $\pm 10\%$ compared to the indicated value. The W tot column indicates the total wattage absorbed by the system without exceeding 10% of the indicated