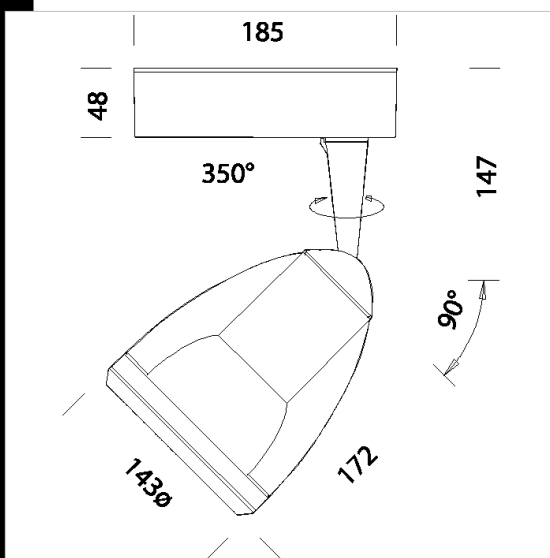


Matrix B1 MASTERLED AR111 - Base version

Housing: In die-cast aluminium with central shaft to carry cables.
 Coating: with a UV-stabilised powder acrylic-resin paint
 Equipment: Supplied with an aiming bar .
 Regulations: Manufactured in accordance with EN 60598-1-CEI 34.21 standards. Degree of protection in accordance with EN60529 standards.
 LED 15W - 3000K - 770lm - 24° - CRI 80 - DIMM igbt
 Luminous flux maintenance L70B50: 40.000h.
 Power factor >0.9
 Photobiological safety class: exempt group EN62471.

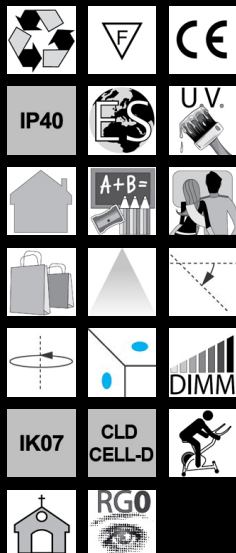


Code	Gear	Kg	Watt	Base	Lamps	Colour
22200477-00	CLD CELL	1,65	MASTERLED AR111 15W		770lm-3000K - 24°-CRI 80	SILVER
22200417-00	CLD CELL	1,45	MASTERLED AR111 15W		770lm-3000K - 24°-CRI 80	WHITE
22200437-00	CLD CELL	1,60	MASTERLED AR111 15W		770lm-3000K - 24°-CRI 80	BLACK

Accessori



- Conveyor mm.133



Download
 DXF 2D
 - 200473.dxf