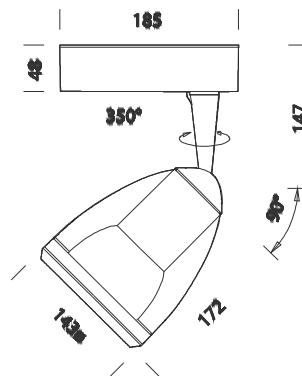


## Matrix B1 MASTERLED AR111



Code	Gear	Kg	Colour	Dimensions	W Tot	lamp
22200416-00	CLD CELL	1.60	white	143x143x340 Ø143	10	MASTERLED AR111 10W-G53-578lm-3000K - 24°-CRI 82
22200436-00	CLD CELL	1.60	black	143x143x340 Ø143	10	MASTERLED AR111 10W-G53-578lm-3000K - 24°-CRI 82
22200476-00	CLD CELL	1.60	met. silver	143x143x340 Ø143	10	MASTERLED AR111 10W-G53-578lm-3000K - 24°-CRI 82
22200417-00	CLD CELL	1.60	white	143x143x340 Ø143	15	MASTERLED AR111 15W-G53-745lm-3000K - 24°-CRI 82
22200437-00	CLD CELL	1.60	black	143x143x340 Ø143	15	MASTERLED AR111 15W-G53-745lm-3000K - 24°-CRI 82
22200477-00	CLD CELL	1.60	met. silver	143x143x340 Ø143	15	MASTERLED AR111 15W-G53-745lm-3000K - 24°-CRI 82

Housing: In die-cast aluminium with central shaft to carry cables.

Coating: with a UV-stabilised powder acrylic-resin paint

Equipment: Supplied with an aiming bar .

Regulations: Manufactured in accordance with EN 60598-1-CEI 34.21 standards. Degree of protection in accordance with EN60529 standards.

LED MASTERLED AR111: 3000K - CRI 80 - 25° - 45000h