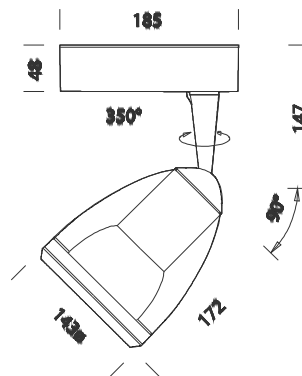


## Matrix B1 AR111 LED



Code	Gear	Kg	Colour	Dimensions	W Tot	lamp
22200413-00	CLD CELL	1.80	white	143x143x340 Ø143	11	AR111 LED-G53-550lm-3000K - 45000h - 25°-Ra 82
22200433-00	CLD CELL	1.80	black	143x143x340 Ø143	11	AR111 LED-G53-550lm-3000K - 45000h - 25°-Ra 82
22200473-00	CLD CELL	1.80	met. silver	143x143x340 Ø143	11	AR111 LED-G53-550lm-3000K - 45000h - 25°-Ra 82

Housing: In die-cast aluminium with central shaft to carry cables.

Coating: with a UV-stabilised powder acrylic-resin paint

Equipment: Supplied with an aiming bar .

Regulations: Manufactured in accordance with EN 60598-1-CEI 34.21 standards. Degree of protection in accordance with EN60529 standards

LED AR111/11W - 3000K - 550lm - CRI82 - 45000h