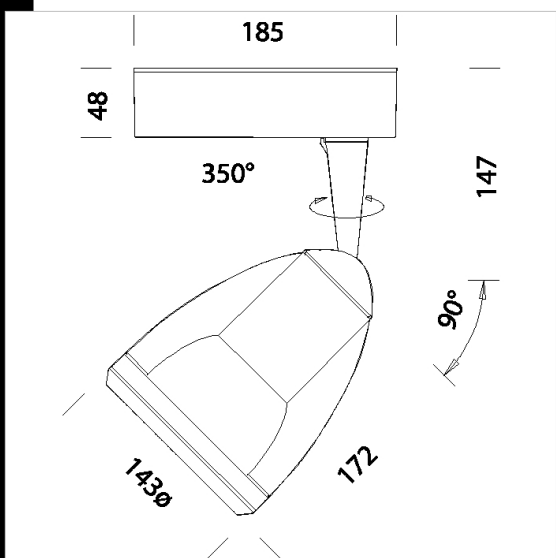


Matrix B6 LED111 - Base version

Housing: In die-cast aluminium with central shaft to carry cables.
 Coating: with a UV-stabilised powder acrylic-resin paint
 Equipment: Supplied with an aiming bar .
 Regulations: Manufactured in accordance with EN 60598-1-CEI 34.21 standards. Degree of protection in accordance with EN60529 standards.
 LED: 3300lm - 3000K - CRI83 - 40° - DIMM 1/10V
 Luminous flux maintenance L70B50: 50.000h.
 Power factor >0.9
 Photobiological safety class: exempt group EN62471.



Code	Gear	Kg	Watt	Base	Lamps	Colour
22200411-00	CLD CELL	1,80	LED 111 32W		3300lm-3000K - 40°-CRI 83	WHITE
22200431-00	CLD CELL	1,65	LED 111 32W		3300lm-3000K - 40°-CRI 83	BLACK
22200471-00	CLD CELL	1,65	LED 111 32W		3300lm-3000K - 40°-CRI 83	SILVER

Download
 DXF 2D
 - 200471.dxf