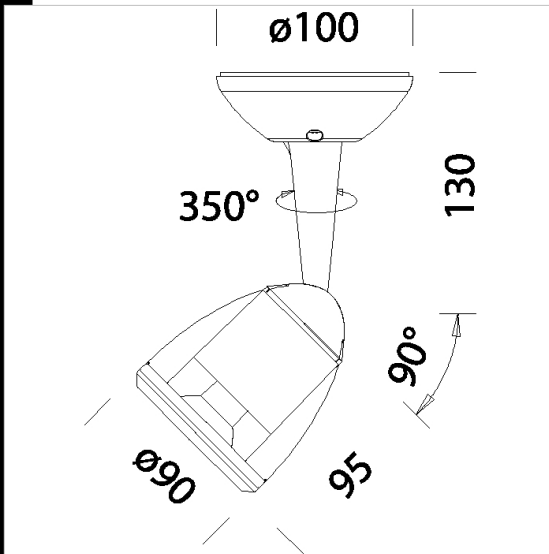


Matrix A3 - Base version

Housing: In die-cast aluminium with central shaft to carry cables.
 Coating: with a UV-stabilised powder acrylic-resin paint
 Equipment: Supplied with an aiming bar .
 Regulations: Manufactured in accordance with EN 60598-1-CEI 34.21 standards. Degree of protection in accordance with EN60529 standards.
 LED 7W - 3000K - 600lm - 36° - CRI 80 - DIM
 Power factor: 0.8
 Luminous flux maintenance 70% 15000h (L70B50)
 Photobiological safety class: exempt group EN62471.



Code	Gear	Kg	Watt	Base	Lamps	Colour
22200013-00	CLD CELL-D	0,60	LED COB 6.5W	GU10	600lm-3000K - 38°-CRI 80	WHITE
22200033-00	CLD CELL-D	0,59	LED COB 6.5W	GU10	600lm-3000K - 38°-CRI 80	BLACK
22200073-00	CLD CELL-D	0,60	LED COB 6.5W	GU10	600lm-3000K - 38°-CRI 80	SILVER

Download

DXF 2D
- malfixa5bas.dxf