



Download

DXF 2D
- energy10.dxf

Montaggi
- 771700 energy saving.pdf



Energy 10 SAB with glass

A high degree of technological expertise achieved in designing and manufacturing, combined with an excellent integration between industrial and lighting design, have enabled the creation of a new line of recessed fixtures using compact fluorescent lamps.

Housing: Vandal-resistant, self-extinguishing, metal-colour polycarbonate, 100% aluminium powder-coated through a C.V.D. hard-vacuum process with flux recuperating closing port that also keeps out dust. Metal-colour outer edge.

Glass: No-glare opal finishing. Ideal for installation in passageways and halls.

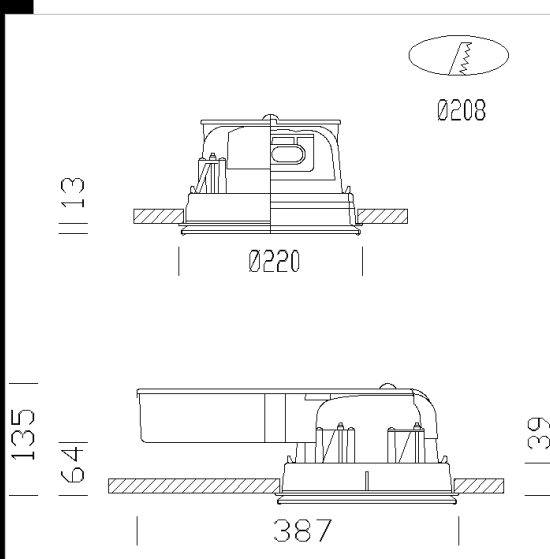
Lampholder: Polycarbonate with phosphor bronze contacts.

Electric gear: 230V/50Hz power supply. Hard wire, 0.50 sqmm cross section and heat-resistant (90°C) PVC-HT sheath, in accordance with CEI 20-20 standards. 2P terminal block (maximum allowed lead cross section 2.5 sqmm.)

Equipment: Includes zinc-plated adjustable brackets ensuring perfect adherence to false ceilings (max thickness 37mm).

Regulations: Manufactured in accordance with standards EN60598 – CEI 34 –21. Degree of protection in accordance with standards EN60529.

Emergency version: Separate gear box, in maintained version. In the event of a black-out a single lamp connected to the emergency circuit will stay on. Run time: 60 minutes.



Code	Gear	Kg	Lumen-K-CRI	WTot	Base	Colour
22190915-94	CELL-D-E	2.60	FLC 2x26D/E-1800lm-3000K-Ra 1b	56 W	G24q-3	ALUMINIUM
22190915-09	CELL-E	2.40	FLC 2x26D/E-1800lm-3000K-Ra 1b	49 W	G24q-3	ALUMINIUM
22190915-1241	CELL-D-D	1.50	FLC 2x26D/E-1800lm-3000K-Ra 1b	54 W	G24q-3	ALUMINIUM
22190915-9441	CELL-D-D-E	2.60	FLC 2x26D/E-1800lm-3000K-Ra 1b	54 W	G24q-3	ALUMINIUM
22190914-12	CELL-D	1.38	FLC 2x18D/E-1200lm-3000K-Ra 1b	38 W	G24q-2	ALUMINIUM
22190915-08	CELL	1.35	FLC 2x26D/E-1800lm-3000K-Ra 1b	49 W	G24q-3	ALUMINIUM
22190915-12	CELL-D	3.70	FLC 2x26D/E-1800lm-3000K-Ra 1b	56 W	G24q-3	ALUMINIUM
22190914-08	CELL	1.35	FLC 2x18D/E-1200lm-3000K-Ra 1b	35 W	G24q-2	ALUMINIUM
22190914-09	CELL-E	1.38	FLC 2x18D/E-1200lm-3000K-Ra 1b	35 W	G24q-2	ALUMINIUM

Accessories



- Sandblasted glass

The reported luminous flux is the flux emitted by the light source with a tolerance of $\pm 10\%$ compared to the indicated value. The W tot column indicates the total wattage absorbed by the system without exceeding 10% of the indicated