



Download

DXF 2D
- energy9.dxf

Montaggi
- 771700 energy saving.pdf



Energy 9 SAB with glass

A high degree of technological expertise achieved in designing and manufacturing, combined with an excellent integration between industrial and lighting design, have enabled the creation of a new line of recessed fixtures using compact fluorescent lamps.

Housing: Vandal-resistant, self-extinguishing, metal-colour polycarbonate, 100% aluminium powder-coated through a C.V.D. hard-vacuum process with flux recuperating closing port that also keeps out dust. Metal-colour outer edge.

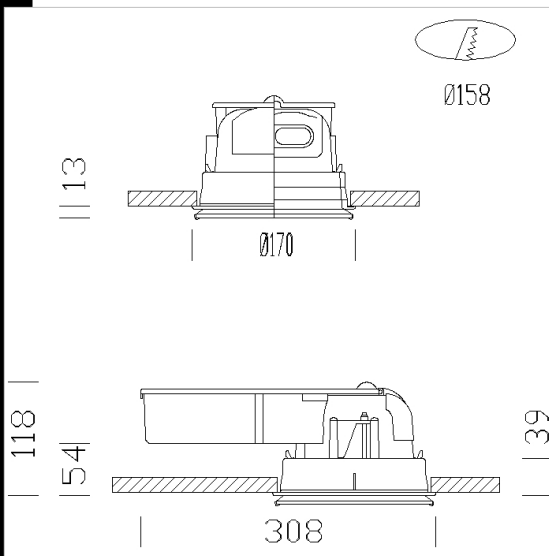
Glass: No-glare opal finishing. Ideal for installation in passageways and halls. Lampholder: Polycarbonate with phosphor bronze contacts.

Electric gear: 230V/50Hz power supply. Hard wire, 0.50 sqmm cross section and heat-resistant (90°C) PVC-HT sheath, in accordance with CEI 20-20 standards. 2P terminal block (maximum allowed lead cross section 2.5 sqmm.)

Equipment: Includes zinc-plated adjustable brackets ensuring perfect adherence to false ceilings (max thickness 37mm).

Regulations: Manufactured in accordance with standards EN60598 – CEI 34 –21. Degree of protection in accordance with standards EN60529.

Emergency version: Separate gear box, in maintained version. In the event of a black-out a single lamp connected to the emergency circuit will stay on. Run time: 60 minutes.



Code	Gear	Kg	Lumen-K-CRI	WTot	Base	Colour
22190814-12	CELL-D	0.96	FLC 1x13D/E-900lm-3000K-Ra 1b	32 W	G24q-1	ALUMINIUM
22190816-08	CELL	0.70	FLC 1x13D/E-900lm-3000K-Ra 1b	14 W	G24q-1	ALUMINIUM
22190816-12	CELL-D	0.90	FLC 1x13D/E-900lm-3000K-Ra 1b	16 W	G24q-1	ALUMINIUM
22190814-08	CELL	0.80	FLC 2x13D/E-900lm-3000K-Ra 1b	27 W	G24q-1	ALUMINIUM
22190814-09	CELL-E	1.80	FLC 2x13D/E-900lm-3000K-Ra 1b	27 W	G24q-1	ALUMINIUM
22190816-09	CELL-E	0.90	FLC 1x13D/E-900lm-3000K-Ra 1b	14 W	G24q-1	ALUMINIUM

Accessories



- Sandblasted glass

The reported luminous flux is the flux emitted by the light source with a tolerance of $\pm 10\%$ compared to the indicated value. The W tot column indicates the total wattage absorbed by the system without exceeding 10% of the indicated