



**Download**

DXF 2D  
- m10i.dxf  
Montaggi  
- M INCASSO rev1.pdf

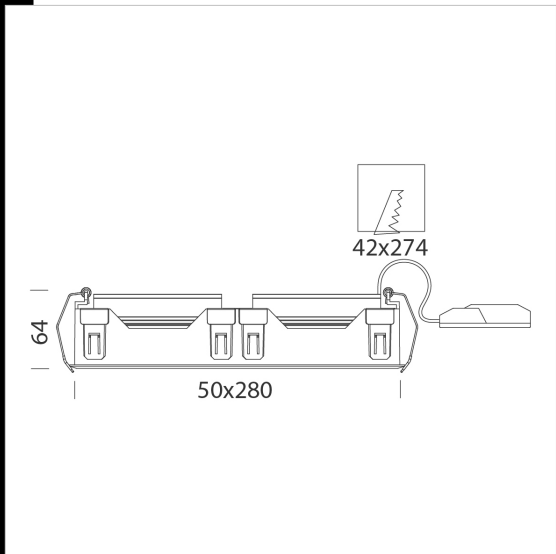


## M10 - recessed - UGR<19

The system is made up of individual modules that can be recessed into ceilings thanks to their remarkably small dimensions, allowing them to fit perfectly into any space. These modules are characterised by high-definition optics in thermally conductive plastic with metallic finish, combined with a special diffuser to optimise the luminous output and significantly reduce direct glare.

On request: 15°-30° version. versions available with different aesthetic finishes ideal to create amazing light effects.

LED: Luminous flux maintenance 80%: 50.000h (L80B20). Power factor: 0,92  
Photobiological safety class: Exempt group. Regulations: Produced according to applicable EN60598-1 CEI 34-21 standards, degree of protection according to EN 60529 standards.



Code	Gear	Kg	Lumen Output-K-CRI	WTot	Colour
22190110-00	CLD	0.68	LED-2038lm-4000K-20°-CRI 90	24 W	WHITE
22190110-39	CLD	0.66	LED-1895lm-3000K-20°-CRI 90	24 W	WHITE

The reported luminous flux is the flux emitted by the light source with a tolerance of  $\pm 10\%$  compared to the indicated value. The W tot column indicates the total wattage absorbed by the system without exceeding 10% of the indicated