



Download

DXF 2D
- mac2t.dxf

Montaggi
- JANUS-DEIMOS-MAC_alo.pdf



Mac 2 T

Adjustable-angle recessed floodlight. A choice of different luminous sources makes it versatile and ideal for installation in any exhibition environment. Housing: Adjustable-angle, made of die-cast aluminium.

Reflector: High-performance oxidised and polished aluminium.

Diffuser: Anti-glare silk-screen printed tempered glass protection shield.

Coating: Powder coated with polyester epoxy paint, UV-resistant.

Lampholder: Ceramic with silver-plated contacts, or polycarbonate with phosphor bronze contacts.

Electric gear: 230V/50Hz power supply. Flexible silicone insulated wire terminated with admiralty brass clamps, with fibreglass braid, cross-section: 1.5 sqmm. 2P+T terminal block (with plug-socket connector).

Standard supply: Includes adjustable steel bracket. Hinge opening of the glass holding ring for easier maintenance.

Regulations: Manufactured in accordance with standards EN60598 – CEI 34 –21. Degree of protection in accordance with standards EN60529.

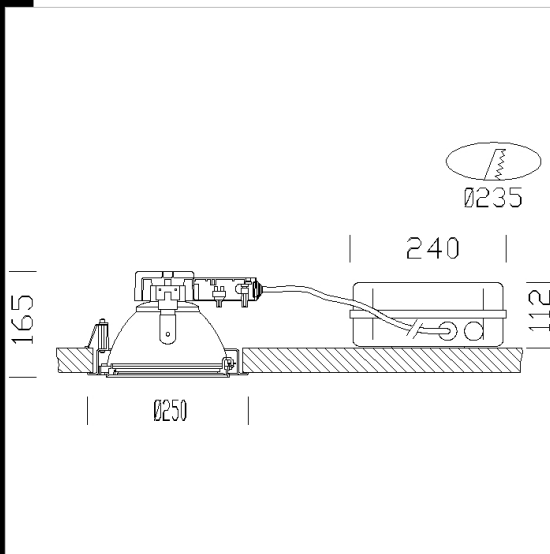
Complete with energy saving lamp and control gear box.

Ideal for installation in areas where a high level of lighting is required.

CDM Elite Lamps: suitable for shopping centres, ideal for enhancing the goods displayed.

- Maintenance cost reduction
- 10% increase in energy efficiency in contrast with traditional lamps
- Excellent colour rendering (Ra 90)
- Improved light levels (twice as powerful)

CDM-TC Elite 50W: 25% longer lifespan, 30% energy saving and lower power consumption compared to Elite 70W



Code	Gear	Kg	Lumen-K-CRI	WTot	Base	Colour
22187714-08	CELL	2.75	CDM-T 100 elite-11000lm-3000K-Ra 90	110 W	G12	BIANCO
22187713-08	CELL	2.50	CDM-T 50 elite-5500lm-3000K-Ra 90	58 W	G12	BIANCO
22187774-08	CELL	2.15	CDM-T 100 elite-11000lm-3000K-Ra 90	110 W	G12	ARGENTO
22187773-08	CELL	2.75	CDM-T 50 elite-5500lm-3000K-Ra 90	58 W	G12	ARGENTO

Accessories



- Conveyor mm.183



- Filter for fishmongers



- Filter for butcher's shop



- Filter for fabric



- UV filter glass mm.160



- Filter for fruit



- Filter for vegetables



- Filter for bakery

The reported luminous flux is the flux emitted by the light source with a tolerance of $\pm 10\%$ compared to the indicated value. The W tot column indicates the total wattage absorbed by the system without exceeding 10% of the indicated