

## Store 2 - CRI 93

A new series of the popular and top-quality STORE LED adjustable recessed spotlights.

Upgrade your lighting system with innovative technological solutions!

Housing: Sheet steel

Reflector: in die-cast polished aluminium, high efficiency and anti-glare.

Coating: Fluid-coated with a humidity resistant, UV-stabilised acrylic-resin paint, interior part is black and the border is white .

Equipment: Supplied with springs ensuring perfect adherence to 1 to 25 mm thick false ceilings.

Terminal block: maximum allowed lead cross section 1,5mm<sup>2</sup>

Regulations: Manufactured in accordance with EN 60598-1-CEI 34-21 standards. Degree of protection in accordance with EN60529 standard.

Power factor: 0.95

Luminous flux maintenance 80%: 50000h (L80B20).

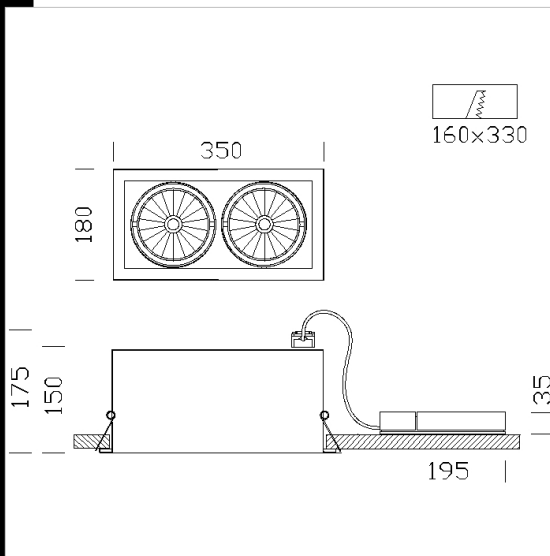
Photobiological safety class: exempt group EN62471.

Lower lamp wattages means greater economy, more than 80% saving

### Download

DXF 2D  
- store2slm.dxf

Montaggi  
- STORE LED COB rev7.pdf



Code	Gear	Kg	Lumen Output-K-CRI	WTot	Colour
22186410-00	CLD	2,40	LED COB2x-2219lm-3000K-CRI 93	37 W	WHITE
22186410-68	CLD	2,34	LED COB2x-2374lm-4000K-CRI 93	38 W	WHITE
22186510-00	CLD	2,30	LED COB2x-3027lm-3000K-CRI 93	52 W	WHITE
22186510-68	CLD	2,33	LED COB2x-3239lm-4000K-CRI 93	52 W	WHITE
22186713-00	CLD	2,55	LED COB2x-3915lm-3000K-CRI 93	78 W	WHITE
22186714-00	CLD	2,60	LED COB2x-4211lm-4000K-CRI 93	78 W	WHITE
22186410-1241	CLD CELL-D-D	2,60	LED COB2x-2219lm-3000K-CRI 93	38 W	WHITE
22186410-6841	CLD CELL-D-D	2,60	LED COB2x-2374lm-4000K-CRI 93	38 W	WHITE
22186510-1241	CLD CELL-D-D	2,54	LED COB2x-3027lm-3000K-CRI 93	52 W	WHITE
22186510-6841	CLD CELL-D-D	2,60	LED COB2x-3239lm-4000K-CRI 93	54 W	WHITE
22186713-1241	CLD CELL-D-D	2,60	LED COB2x-3915lm-3000K-CRI 93	80 W	WHITE
22186714-1241	CLD CELL-D-D	2,56	LED COB2x-4211lm-4000K-CRI 93	78 W	WHITE
22186410-09	CLD CELL-E	3,00	LED COB2x-2219lm-3000K-CRI 93	38 W	WHITE
22186410-6809	CLD CELL-E	3,00	LED COB2x-2374lm-4000K-CRI 93	38 W	WHITE
22186510-09	CLD CELL-E	3,00	LED COB2x-3027lm-3000K-CRI 93	54 W	WHITE
22186510-6809	CLD CELL-E	3,00	LED COB2x-3239lm-4000K-CRI 93	54 W	WHITE
22186713-09	CLD CELL-E	3,00	LED COB2x-3915lm-3000K-CRI 93	80 W	WHITE
22186714-09	CLD CELL-E	3,00	LED COB2x-4211lm-4000K-CRI 93	80 W	WHITE
22186410-31	CLD CELL-E	3,00	LED COB2x-2219lm-3000K-CRI 93	38 W	WHITE
22186410-3113	CLD CELL-E	3,00	LED COB2x-2374lm-4000K-CRI 93	38 W	WHITE
22186510-31	CLD CELL-E	3,00	LED COB2x-3027lm-3000K-CRI 93	57 W	WHITE
22186510-3113	CLD CELL-E	3,00	LED COB2x-3239lm-4000K-CRI 93	54 W	WHITE
22186713-31	CLD CELL-E	3,00	LED COB2x-3915lm-3000K-CRI 93	80 W	WHITE
22186714-31	CLD CELL-E	3,00	LED COB2x-4211lm-4000K-CRI 93	80 W	WHITE

The reported luminous flux is the flux emitted by the light source with a tolerance of  $\pm 10\%$  compared to the indicated value. The W tot column indicates the total wattage absorbed by the system without exceeding 10% of the indicated