

Slimcover LED

Their extremely rapid and easy installation together with their simple yet elegant design, make this series of products ideal for offices, lobbies and open-space areas. Their tasteful design and luminous efficiency create lighting effects full of atmosphere.

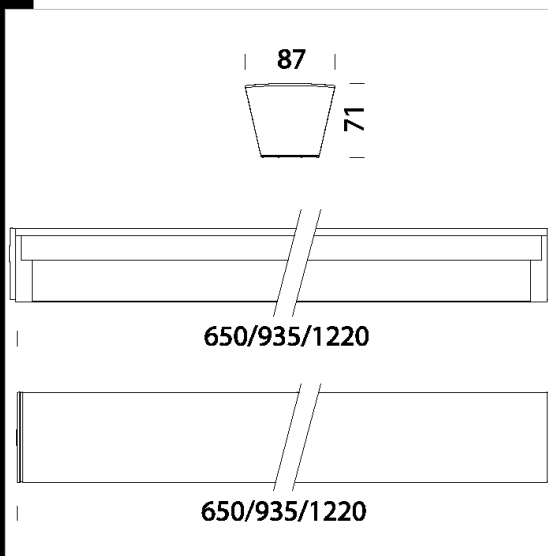
Housing: Extruded aluminium.

Regulations: Produced according to applicable EN60598-1 CEI 34-21 standards, degree of protection according to EN 60529 standards.

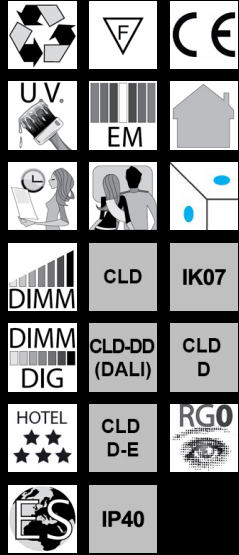
Power factor: >0,95

Luminous flux maintenance 80%: 50.000h (L80B20).

Photobiological safety class: exempt group EN62471.



Code	Gear	Kg	Lumen Output-K-CRI	WTot	Colour
22183710-00	CLD	1,54	LED-1856lm-3000K-CRI 80	27 W	WHITE
22183710-12	CLD CELL-D	1,65	LED-1856lm-3000K-CRI 80	28 W	WHITE
22183710-1241	CLD-D-D	1,61	LED-1856lm-3000K-CRI 80	27 W	WHITE
22183810-00	CLD	2,10	LED-2784lm-3000K-CRI 80	41 W	WHITE
22183810-12	CLD CELL-D	2,19	LED-2784lm-3000K-CRI 80	42 W	WHITE
22183810-1241	CLD-D-D	2,16	LED-2784lm-3000K-CRI 80	41 W	WHITE
22183910-00	CLD	2,73	LED-3713lm-3000K-CRI 80	55 W	WHITE
22183910-12	CLD CELL-D	2,76	LED-3713lm-3000K-CRI 80	55 W	WHITE
22183910-1241	CLD-D-D	2,71	LED-3713lm-3000K-CRI 80	55 W	WHITE
22183910-94	CLD-D-E	3,17	LED-3713lm-3000K-CRI 80	55 W	WHITE
22183910-09	CLD CELL-E	3,18	LED-3713lm-3000K-CRI 80	55 W	WHITE
22183910-31	CLD CELL-E	0,00	LED-3713lm-3000K-CRI 80	55 W	WHITE
22183710-68	CLD CELL	1,54	LED-1986lm-4000K-CRI 80	27 W	WHITE
22183710-6841	CLD CELL-D-D	1,56	LED-1986lm-4000K-CRI 80	28 W	WHITE
22183810-68	CLD CELL	2,13	LED-2979lm-4000K-CRI 80	41 W	WHITE
22183810-6841	CLD CELL-D-D	2,14	LED-2979lm-4000K-CRI 80	41 W	WHITE
22183910-68	CLD CELL	2,70	LED-3973lm-4000K-CRI 80	55 W	WHITE
22183910-6841	CLD CELL-D-D	2,75	LED-3973lm-4000K-CRI 80	55 W	WHITE
22183910-6809	CLD CELL-E	0,00	LED-3973lm-4000K-CRI 80	55 W	WHITE
22183910-3113	CLD CELL-E	0,00	LED-3973lm-4000K-CRI 80	55 W	WHITE



Download

DXF 2D
- 183710.dxf

Montaggi
- SLIMCOVER LED rev6.pdf

BIM
- Slimcover LED - 20201005.zip

The reported luminous flux is the flux emitted by the light source with a tolerance of $\pm 10\%$ compared to the indicated value. The W tot column indicates the total wattage absorbed by the system without exceeding 10% of the indicated