



CELL-D

Download

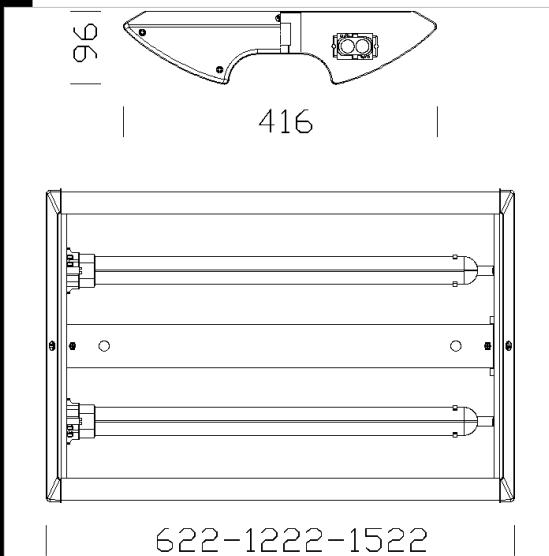
- DXF 2D
- 183272.dxf
- 3DS
- soft_2x55_sosp.3ds
- 3DM
- soft_2x55_sosp.3dm
- Montaggi
- 771608.soft.pdf



Soft suspension

A line of direct and indirect interior lighting fixtures for ceiling, using energy saving and T5 lamps. Due to its quick, easy installation procedure and its clean, sleek design, Soft can be used in offices, lobbies, and open-space work environments.

- Housing: Micro-perforated pressed steel plate. Polycarbonate end caps.
- Diffuser: Internal plate made of opal polypropylene for high luminous control (special version designed to resist an 850°C incandescent wire).
- Coating: Humidity resistant acrylic-resin liquid paint, UV-stabilised .
- Lampholder: Polycarbonate with phosphor bronze contacts
- Electric gear: 230V-50Hz power supply with electronic ballast. Hard wire, 0.50 sqmm cross section, high-temperature resistant (90°C) PVC-HT sheath in accordance with CEI 20-20 standards. 2P+T terminal block (maximum allowed lead cross section 2.5 sqmm.)
- Regulations: Manufactured in accordance with standards EN60598 – CEI 34 –21. Degree of protection in accordance with standards EN60529.
- Lamps: Compact fluorescent lamps or T5 lamps included.
- Suspension cable and ceiling rose included.



Code	Gear	Kg	Lumen-K-CRI	WTot	Base	Colour
22183272-00	CELL	4.35	FLC 2x55L-4800lm-4000K-Ra 1b	116 W	2G11	SILVER
22183276-00	CEL	8.30	FL 2x80-6550lm-4000k-Ra 1b	170 W	G5	SILVER
22183272-12	CELL-D	4.50	FLC 2x55L-4800lm-4000K-Ra 1b	116 W	2G11	SILVER

Accessories



- Baffle louvre

The reported luminous flux is the flux emitted by the light source with a tolerance of ± 10% compared to the indicated value. The W tot column indicates the total wattage absorbed by the system without exceeding 10% of the indicated