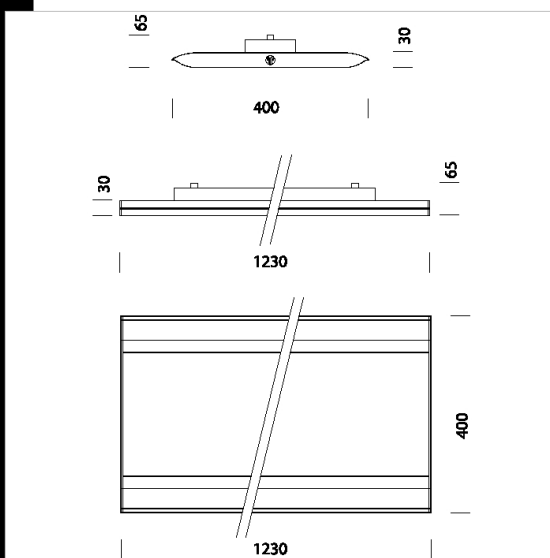




Slim 3 URG<19

With Slim, LED lighting makes a step forwards. Slim takes full advantage of the LED technology with a highly innovative product: the particular location of LEDs within the fixture generates, through its complex optics design, a reflected light capable of ensuring the maximum level of comfort and functionality. Instant start with no shimmer and absolutely silent operation. Energy saving of over 50% compared to traditional lights to fluorescent tubes. Efficiency of the LEDs (95%), overheating protection, current control and ability to work with stabilized voltages. Special circuit design which makes independent operation of each of the LEDs so as not to impair the operation of the other. No RF interference and electromagnetic emissions. No risk to the environment due to the absence of materials containing mercury or lead. Regulations: Produced according to applicable EN60598-1 CEI 34-21 standards. Installable on normally inflammable. LED: 2950/3050lm - 3000/4000K - CRI93 - 30W. LED: 1900lm - 3000/4000K - CRI93 - 17W. LED: 4900lm - 4000K - CRI93 - 49W. Power factor: >0,95 Luminous flux maintenance 70% 50000h (L70B50) Photobiological safety class: exempt group On request 1-10V dimmer, dimmable from 10% to 100% Quick connection with plug and socket, no need to open the fixture Mounting on false ceiling beams No maintenance



Code	Gear	Kg	Watt	Base	Lamps	Colour
22182812-00	CLD CELL-D	10,15	LED white 29W		3050lm-4000K-CRI 93	WHITE
22182813-00	CLD CELL-D	6,68	LED white 29W		2950lm-3000K-CRI 93	WHITE
22182816-00	CLD CELL-D	3,70	LED white 17W		1900lm-4000K-CRI 93	WHITE
22182817-00	CLD CELL-D	10,15	LED white 17W		1900lm-3000K-CRI 93	WHITE
22182810-00	CLD CELL	6,81	LED white 49W		4900lm-4000K-CRI 93	WHITE

Accessories



- Powered suspension Q



- Ceiling suspension



- Ceiling suspension Q



- Powered suspension 3-5 p

Download
DXF 2D
- slimpan.dxf