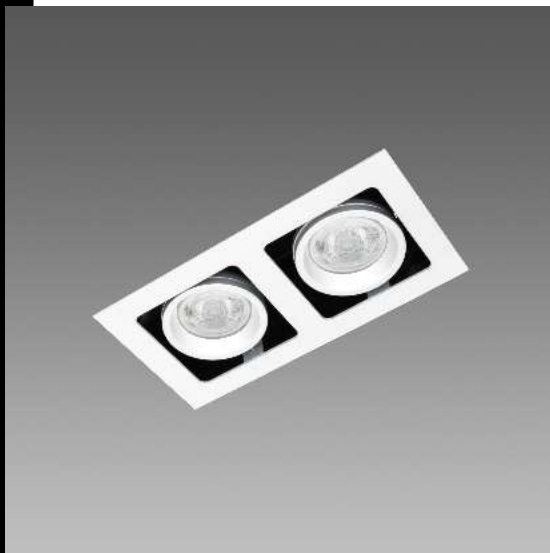




Download

DXF 2D
- minishop2.dxf

Montaggi
- MINISHOP A rev3.pdf



Minishop 2A

Housing: Steel plate.

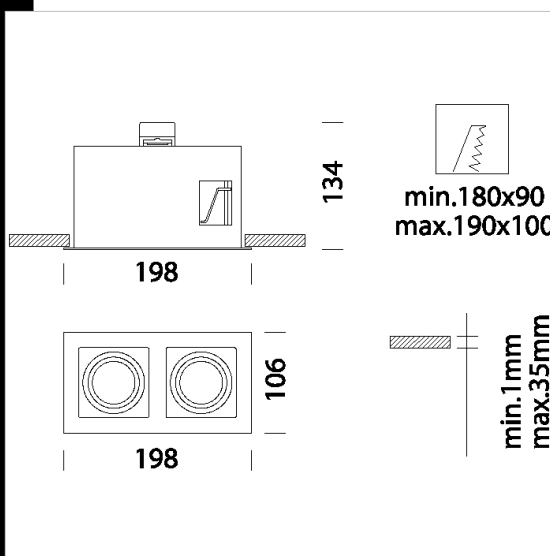
Coating: Power-coated with a UV-resistant polyester paint.

Equipment: Supplied with springs ensuring perfect adherence to 1 to 30 mm thick false ceilings.

Regulations: Manufactured in accordance with standards EN60598 – CEI 34 –21. Degree of protection in accordance with standards EN60529.

Power factor: 0.8

Luminous flux maintenance 70% 25000h (L70B50)



Code	Gear	Kg	Lumen Output-K-CRI	WTot	Colour
22182612-00	CLD CELL-DI	1,00	LED SMD-500lm-3000K-38°-CRI 80	13 W	WHITE

The reported luminous flux is the flux emitted by the light source with a tolerance of $\pm 10\%$ compared to the indicated value. The W tot column indicates the total wattage absorbed by the system without exceeding 10% of the indicated