

Slimcover Black - Design Paolo Bistacchi

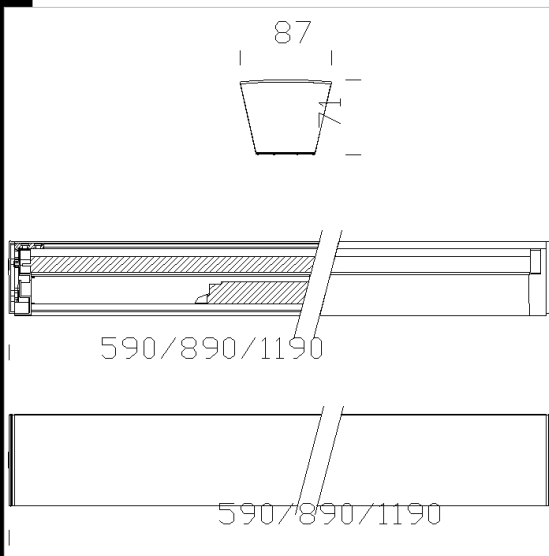
A series of fixtures for interior wall mounting with T5 lamps. Their extremely rapid and easy installation together with their simple yet elegant design, make this series of products ideal for offices, lobbies and open-space areas. Their tasteful design and luminous efficiency create lighting effects full of atmosphere.

Housing: Extruded aluminium.

Lampholder: Polycarbonate with phosphorous bronze contacts

Electric gear: 230V/50Hz power supply with electronic ballast. Hard wire, cross section 0.50 sqmm, and high-temperature resistant (up to 90°C) PVC-HT sheath, in accordance with CEI 20-20 standards. 2P + T terminal block (maximum allowed lead cross section 2.5 sqmm.)

Lamps: Complete with high performance T5 lamps



Code	Gear	Kg	Watt	Base	Lamps	Colour
22182432-07	CELL-E	1,30	FL 1x28	G5	2650lm-4000K-Ra 1b	BLACK
22182433-12	CELL-D	2,20	FL 1x39	G5	3100lm-4000K-Ra 1b	BLACK
22182434-00	CELL	2,45	FL 1x54	G5	4450lm-4000K-Ra 1b	BLACK
22182432-00	CELL	2,55	FL 1x28	G5	2650lm-4000K-Ra 1b	BLACK
22182431-12	CELL-D	2,00	FL 1x24	G5	1750lm-4000K-Ra 1b	BLACK
22182431-00	CELL	1,95	FL 1x24	G5	1750lm-4000K-Ra 1b	BLACK
22182433-00	CELL	2,00	FL 1x39	G5	3100lm-4000K-Ra 1b	BLACK
22182432-12	CELL-D	1,30	FL 1x28	G5	2650lm-4000K-Ra 1b	BLACK
22182434-12	CELL-D	2,60	FL 1x54	G5	4450lm-4000K-Ra 1b	BLACK
22182434-07	CELL-E	2,95	FL 1x54	G5	4450lm-4000K-Ra 1b	BLACK
22182430-12	CELL-D	2,00	FL 1x14	G5	1250lm-4000K-Ra 1b	BLACK
22182430-00	CELL	1,40	FL 1x14	G5	1250lm-4000K-Ra 1b	BLACK



Download

DXF 2D
- 182410.dxf