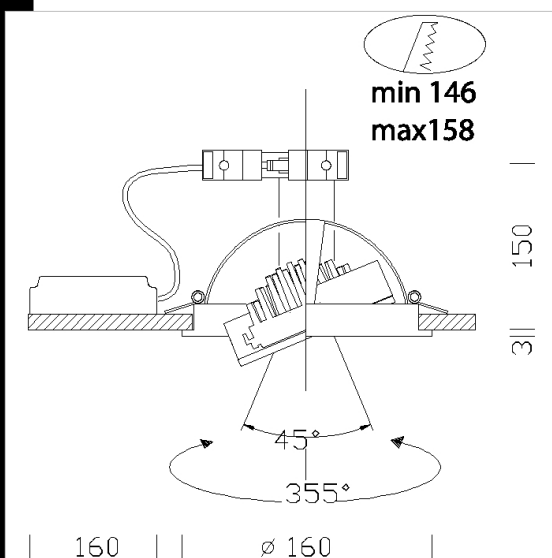


CoinMac



Housing: made from steel, adjustable complete with spring clips for recessed mounting
 Painting: dust painted, using polyester epoxy paint to withstand UV rays.
 Standard supply: Includes adjustable steel bracket.
 Regulations: Manufactured in accordance with standards EN60598 – CEI 34 –21. Degree of protection in accordance with standards EN60529.
 Power factor: 0.95
 Photobiological safety class: Exempt group.
 Luminous flux maintenance 70%: 50.000h (L70B50).
 recessed Ø 146/158mm



Code	Gear	Kg	Lumen Output-K-CRI	WTot	Colour
22181918-00	CLD CELL-D	1,05	LED-3600lm-3000K-40°-CRI 83	36 W	WHITE



Download

DXF 2D
 - coinmac.dxf

Montaggi
 - COIN_MAC rev0.pdf

The reported luminous flux is the flux emitted by the light source with a tolerance of ± 10% compared to the indicated value. The W tot column indicates the total wattage absorbed by the system without exceeding 10% of the indicated