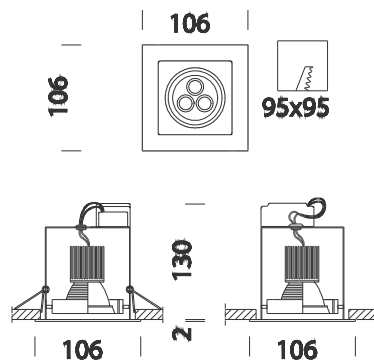


Minishop 1L



Code	Gear	Kg	Colour	Dimensions	lamp
22182570-00	CLD CELL	0.50	met. silver	106x106x120	MASTERLED 3W-GU10-270lm-3000K-25°
22181771-00	CLD CELL	0.50	met. silver	106x106x120	

Housing: Steel plate.

Coating: Humidity resistant acrylic-resin liquid paint, UV-stabilised.

Regulations: Manufactured in accordance with standards EN60598 - CEI 34 -21. Degree of protection in accordance with standards EN60529.