



Download

DXF 2D
- shop 8.dxf
Montaggi
- 771809_shop 1-8.pdf



Shop 8

These adjustable-angle recessed fixtures for CDM-T lamps
Ideal in shops, showrooms and exhibition rooms.

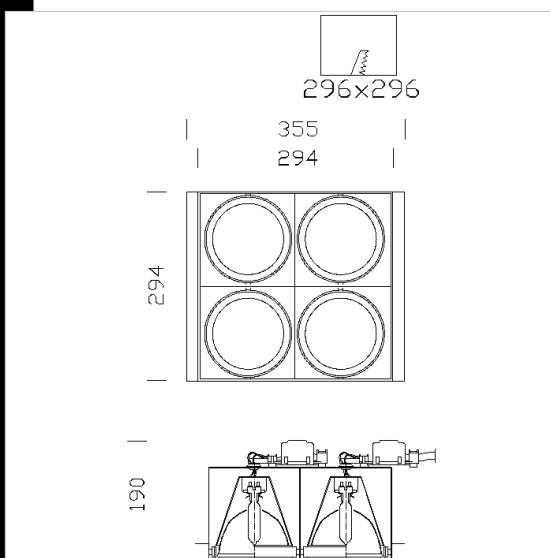
Housing: Steel plate.

Coating: Humidity resistant acrylic-resin liquid paint, UV-stabilised.

Lampholder: Ceramic, with silver-plated contacts.

Electric gear: Equipped with transformer and hard wire, 0.50 sqmm cross section and heat resistance HT sheath, in accordance with CEI 20-20 standards. Terminal block (maximum allowed lead cross section 2.5 sqmm.)

Regulations: Manufactured in accordance with standards EN60598 – CEI 34 –21. Degree of protection in accordance with standards EN60529.



Code	Gear	Kg	Lumen-K-CRI	WTot	Base	Colour
22181637-00	CELL	3.40	CDM-T 4x70-6600lm-3000K-Ra 1b	312 W	G12	BLACK

The reported luminous flux is the flux emitted by the light source with a tolerance of $\pm 10\%$ compared to the indicated value. The W tot column indicates the total wattage absorbed by the system without exceeding 10% of the indicated