



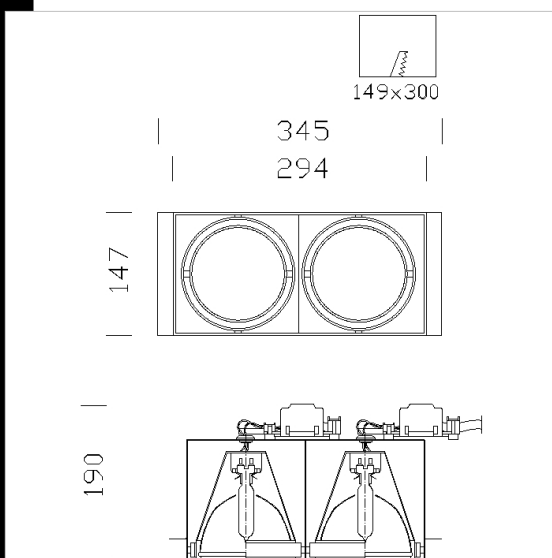
**Download**

DXF 2D  
- store 6.dxf  
Montaggi  
- 771809\_shop 1-8.pdf



**Shop 6**

These adjustable-angle recessed fixtures for CDM-T lamps  
Ideal in shops, showrooms and exhibition rooms.  
Housing: Steel plate.  
Coating: Humidity resistant acrylic-resin liquid paint, UV-stabilised.  
Lampholder: Ceramic, with silver-plated contacts.  
Electric gear: Equipped with transformer and hard wire, 0.50 sqmm cross section and heat resistance HT sheath, in accordance with CEI 20-20 standards. Terminal block (maximum allowed lead cross section 2.5 sqmm.)  
Regulations: Manufactured in accordance with standards EN60598 – CEI 34 –21. Degree of protection in accordance with standards EN60529.



Code	Gear	Kg	Lumen-K-CRI	WTot	Base	Colour
22181633-00	CELL	3.40	CDM-T 2x70-6600lm-3000K-Ra 1b	156 W	G12	BLACK

The reported luminous flux is the flux emitted by the light source with a tolerance of ± 10% compared to the indicated value. The W tot column indicates the total wattage absorbed by the system without exceeding 10% of the indicated