

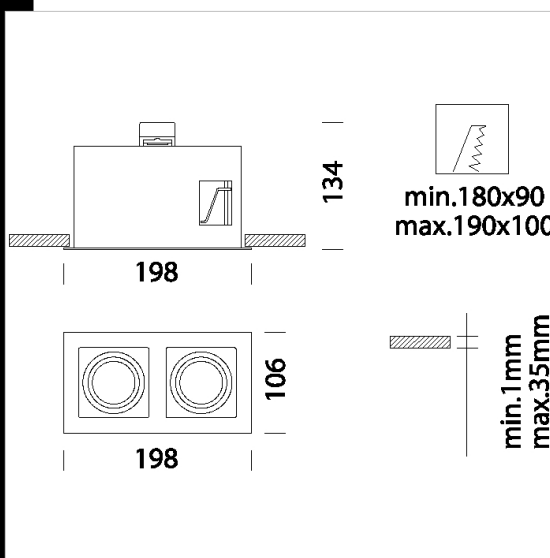
Minishop 2B

Housing: Steel plate.
 Specific optical anti-glare for improved comfort.
 Coating: Power-coated with a UV-resistant polyester paint.
 Equipment: Supplied with springs ensuring perfect adherence to 1 to 30 mm thick false ceilings.
 Regulations: Manufactured in accordance with EN 60598-1-CEI 34.21 standards. Degree of protection in accordance with EN60529 standards.
 Dimmable with IGBT dimmer dimming devices (for example, with halogen lights DIM IGBT)
 Power factor: ≥ 0.9
 Luminous flux maintenance 80%: 50.000h (L80B20).
 Photobiological safety class: exempt group EN62471.
 Lower lamp wattages means greater economy, more than 80% saving

Download

DXF 2D
 - minishop2.dxf

Montaggi
 - MINISHOP_B.pdf



Code	Gear	Kg	Lumen Output-K-CRI	WTot	Colour
22181112-00	CLD CELL-DI	1,34	LED COB2x-957lm-3000K-38°-CRI 92	24 W	WHITE
22181112-1241	CLD CELL-D-D	1,30	LED COB2x-957lm-3000K-38°-CRI 92	24 W	WHITE
22181112-68	CLD CELL-DI	1,34	LED COB2x-1024lm-4000K-38°-CRI 92	24 W	WHITE
22181112-6841	CLD CELL-D-D	1,40	LED COB2x-1024lm-4000K-38°-CRI 92	20 W	WHITE
22181112-09	CLD CELL-DI-E	1,80	LED COB2x-957lm-3000K-38°-CRI 92	20 W	WHITE
22181112-6809	CLD CELL-DI-E	1,80	LED COB2x-1024lm-4000K-38°-CRI 92	20 W	WHITE
22181112-31	CLD CELL-DI-E	1,80	LED COB2x-957lm-3000K-38°-CRI 92	20 W	WHITE
22181112-3113	CLD CELL-DI-E	1,80	LED COB2x-1024lm-4000K-38°-CRI 92	20 W	WHITE

The reported luminous flux is the flux emitted by the light source with a tolerance of $\pm 10\%$ compared to the indicated value. The W tot column indicates the total wattage absorbed by the system without exceeding 10% of the indicated