

Shop 4

These adjustable-angle recessed fixtures for AR111/CDM-T lamps offer the possibility to move the lamps out of the alignment box (extension system), thus increasing their aiming flexibility.

Ideal in shops, showrooms and exhibition rooms.

Housing: Steel plate.

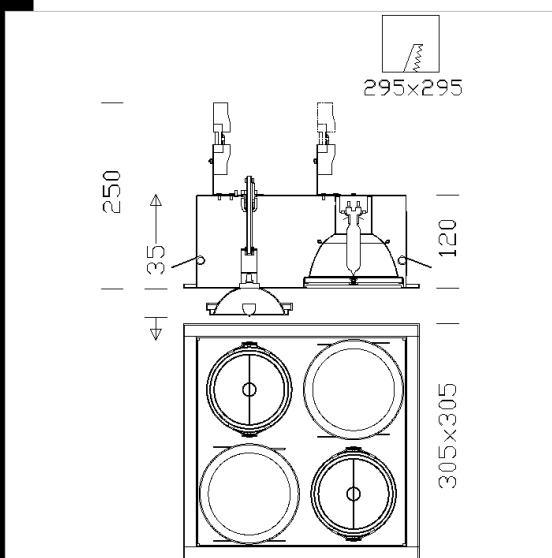
Coating: Humidity resistant acrylic-resin liquid paint, UV-stabilised.

Lampholder: Ceramic, with silver-plated contacts.

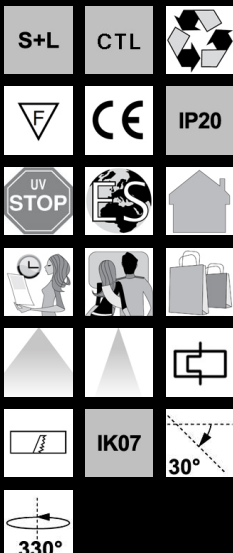
Electric gear: Equipped with transformer and hard wire, 0.50 sqmm cross section and heat resistance HT sheath, in accordance with CEI 20-20 standards. Terminal block (maximum allowed lead cross section 2.5 sqmm.)

Regulations: Manufactured in accordance with standards EN60598 - CEI 34 -21. Degree of protection in accordance with standards EN60529.

Lamps: AR111/CDM-T lamps included.



Code	Gear	Kg	Watt	Base	Lamps	Colour
22181079-00	CTL+SL	2,55	AR111 2x50IRC + CDM-T 50 elite	G53+G12	-3000K-	SILVER



Download

DXF 2D
- shop3_7.dxf

Montaggi
- 771809 shop 1-8.pdf