

Shop 3



These adjustable-angle recessed fixtures for AR111/CDM-T lamps offer the possibility to move the lamps out of the alignment box (extension system), thus increasing their aiming flexibility.

Ideal in shops, showrooms and exhibition rooms.

Housing: Steel plate.

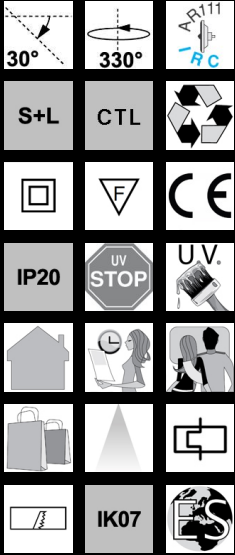
Coating: Humidity resistant acrylic-resin liquid paint, UV-stabilised.

Lampholder: Ceramic, with silver-plated contacts.

Electric gear: Equipped with transformer and hard wire, 0.50 sqmm cross section and heat resistance HT sheath, in accordance with CEI 20-20 standards. Terminal block (maximum allowed lead cross section 2.5 sqmm.)

Regulations: Manufactured in accordance with standards EN60598 - CEI 34 -21. Degree of protection in accordance with standards EN60529.

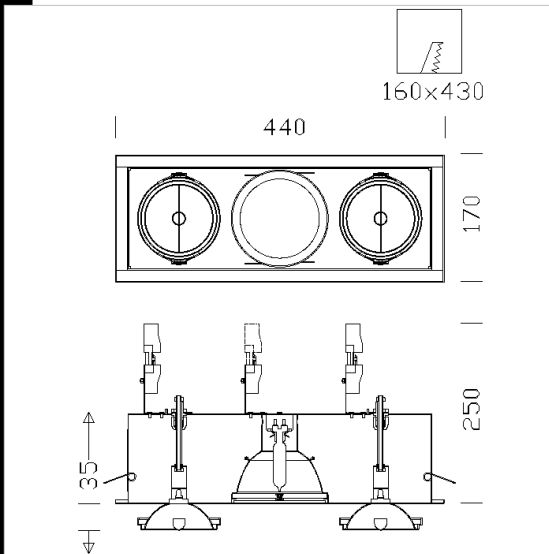
Lamps: AR111/CDM-T lamps included.



Download

DXF 2D
- shop3_6.dxf

Montaggi
- 771809_shop 1-8.pdf
- 771809_shop1-2_shop 3-4.pdf



Code	Gear	Kg	Lumen-K-CRI	WTot	Base	Colour
22181078-00	CTL+SL	2.05	AR111 2x50IRC + CDM-T 50 elite--3000K-	190 W	G53+G12	ARGENTO

The reported luminous flux is the flux emitted by the light source with a tolerance of $\pm 10\%$ compared to the indicated value. The W tot column indicates the total wattage absorbed by the system without exceeding 10% of the indicated