

IK07

### Download

DXF 2D  
- shop3\_1.dxf

Montaggi  
- 771809\_shop 1-8.pdf



## Shop 1

These adjustable-angle recessed fixtures for AR111/CDM-T lamps offer the possibility to move the lamps out of the alignment box (extension system), thus increasing their aiming flexibility.

Ideal in shops, showrooms and exhibition rooms.

Housing: Steel plate.

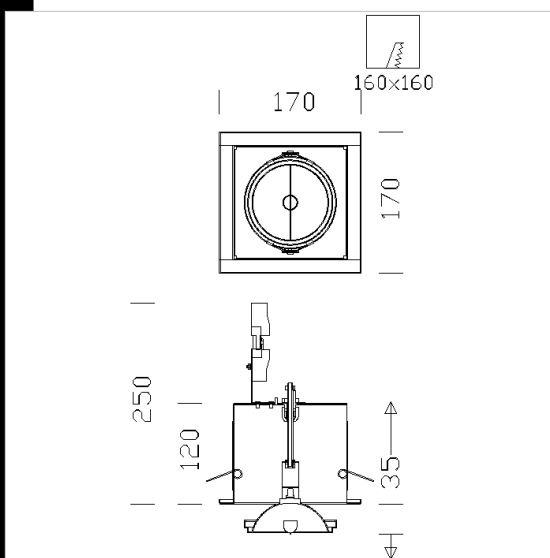
Coating: Humidity resistant acrylic-resin liquid paint, UV-stabilised.

Lampholder: Ceramic, with silver-plated contacts.

Electric gear: Equipped with transformer and hard wire, 0.50 sqmm cross section and heat resistance HT sheath, in accordance with CEI 20-20 standards. Terminal block (maximum allowed lead cross section 2.5 sqmm.)

Regulations: Manufactured in accordance with standards EN60598 - CEI 34 -21. Degree of protection in accordance with standards EN60529.

Lamps: AR111/CDM-T lamps included.



Code	Gear	Kg	Lumen-K-CRI	WTot	Base	Colour
22181072-00	S+L	1.00	CDM-T 100 elite-11000lm-3000K-Ra 90	100 W	G12	ARGENTO
22181071-00	S+L	0.90	CDM-T 50 elite-5500lm-3000K-Ra 90	50 W	G12	ARGENTO
22181070-00	CTL	0.90	AR111 50IRC-5800cd-3000K-Ra 100	51 W	G53	ARGENTO

The reported luminous flux is the flux emitted by the light source with a tolerance of  $\pm 10\%$  compared to the indicated value. The W tot column indicates the total wattage absorbed by the system without exceeding 10% of the indicated