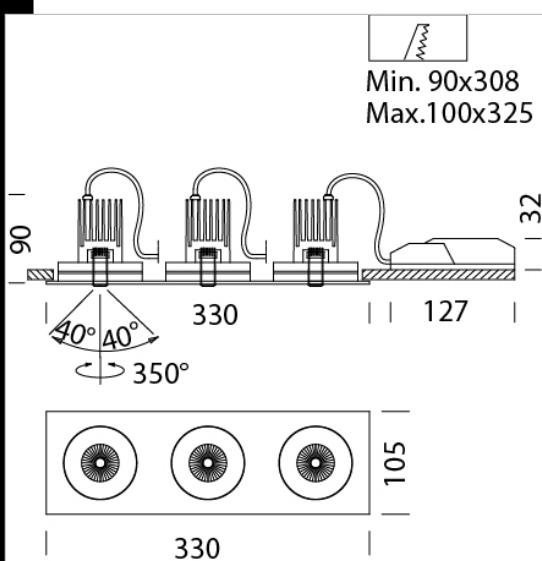


Snow 3x - DIMM

Housing: in die-cast aluminium with heat sink.
 Frame: made of aluminium. Equipment: complete with springs to suspended ceiling from 1mm to 25 mm thick. Reflector: In metalized polycarbonate to high rendering. Regulations: Produced according to applicable EN60598 - CEI 34 - 21 standards, degree of protection according to EN 60529 standards
 Power factor: ≥ 0.9
 Luminous flux maintenance 80%: 50.000h (L80B20).
 Photobiological safety class: exempt group EN62471.



Code	Gear	Kg	Lumen Output-K-CRI	WTot	Colour
22180810-00	CLD	1,46	LED COBx3-957lm-3000K-38°-CRI 92	30 W	WHITE
22180811-00	CLD	1,47	LED COBx3-990lm-4000K-38°-CRI 92	30 W	WHITE



Download

DXF 2D
 - microshop3.dxf
 Montaggi
 - SNOW_2x_3x rev1.pdf

The reported luminous flux is the flux emitted by the light source with a tolerance of $\pm 10\%$ compared to the indicated value. The W tot column indicates the total wattage absorbed by the system without exceeding 10% of the indicated