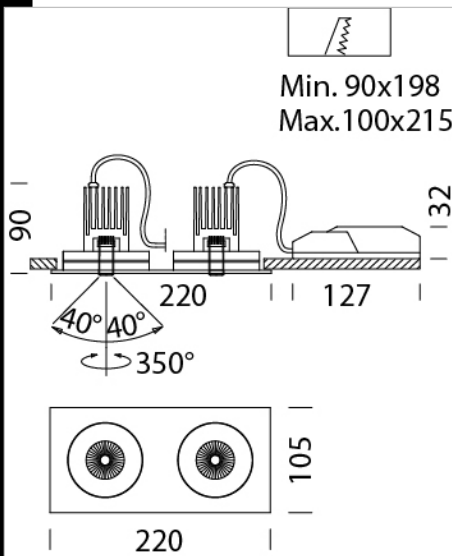


Snow 2x - DIMM

Housing: in die-cast aluminium with heat sink.
 Housing: Adjustable angle, made of die-cast aluminium.
 Equipment: complete with springs to suspended ceiling from 1mm to 25 mm thick.
 Reflector: In metalized polycarbonate to high rendering.
 Regulations: Produced according to applicable EN60598 - CEI 34 - 21 standards, degree of protection according to EN 60529 standards
 Power factor: ≥ 0.9
 Luminous flux maintenance 80%: 50.000h (L80B20).
 Photobiological safety class: exempt group EN62471.

Download

DXF 2D
 - microshop2.dxf
 Montaggi
 - SNOW_2x_3x rev1.pdf



Code	Gear	Kg	Lumen Output-K-CRI	WTot	Colour
22180710-00	CLD	0,98	LED COBx2-957lm-3000K-38°-CRI 92	20 W	WHITE
22180711-00	CLD	1,00	LED COBx2-990lm-4000K-38°-CRI 92	20 W	WHITE

The reported luminous flux is the flux emitted by the light source with a tolerance of $\pm 10\%$ compared to the indicated value. The W tot column indicates the total wattage absorbed by the system without exceeding 10% of the indicated