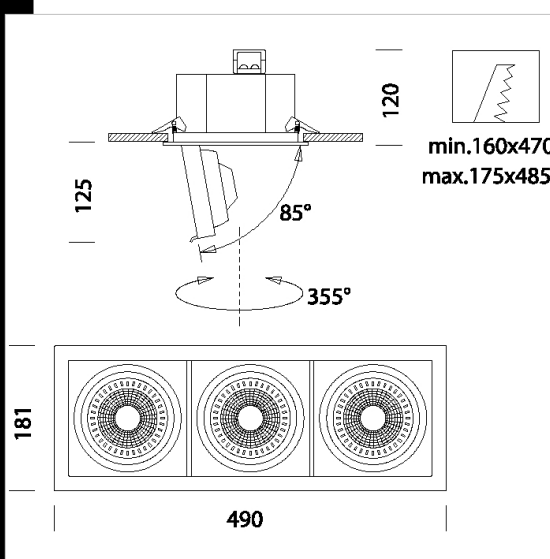


Shop 3 LED

Housing: in aluminium with adjustable and rotating spotlights.
 Equipment: complete with springs for false ceilings having a thickness from 1mm to 25 mm.
 Standards: manufactured pursuant to EN 60598-1-CEI 34.21 standards and with a degree of protection pursuant to EN 60529.
 DIMM IGBT
 Power factor: ≥ 0.95
 Luminous flux maintenance 70% 50000h (L70B50)
 Photobiological safety class: exempt group EN62471.
 Lower lamp wattages means greater economy, more than 80% saving



Code	Gear	Kg	Lumen Output-K-CRI	WTot	Colour
22180613-00	CLD-D	2,54	LED COB3x-2333lm-3000K-38°-CRI 85	72 W	WHITE
22180613-68	CLD-D	2,42	LED COB3x-2496lm-4000K-38°-CRI 85	72 W	WHITE
22180613-1241	CLD CELL-D-D	2,50	LED COB3x-2333lm-3000K-38°-CRI 85	57 W	WHITE
22180613-6841	CLD CELL-D-D	2,50	LED COB3x-2496lm-4000K-38°-CRI 85	57 W	WHITE



Download
 DXF 2D
 - shop33.dxf
 Montaggi
 - SHOP_PLA rev2.pdf

The reported luminous flux is the flux emitted by the light source with a tolerance of $\pm 10\%$ compared to the indicated value. The W tot column indicates the total wattage absorbed by the system without exceeding 10% of the indicated