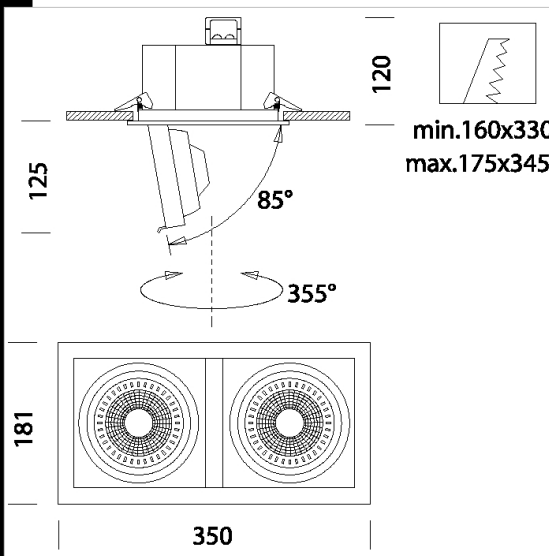


Shop 2 LED



Housing: in aluminium with adjustable and rotating spotlights.
 Equipment: complete with springs for false ceilings having a thickness from 1mm to 25 mm.
 Standards: manufactured pursuant to EN 60598-1-CEI 34.21 standards and with a degree of protection pursuant to EN 60529.
 Power factor: ≥ 0.95
 Luminous flux maintenance 70% 50000h (L70B50)
 Photobiological safety class: exempt group EN62471.
 Lower lamp wattages means greater economy, more than 80% saving
 On request: box for direct ceiling installation.



Code	Gear	Kg	Lumen Output-K-CRI	WTot	Colour
22180612-00	CLD-D	2.35	LED COB2x-1766lm-3000K-38°-CRI 85	48 W	WHITE
22180612-68	CLD-D	1.70	LED COB2x-1890lm-4000K-38°-CRI 85	48 W	WHITE
22180612-1241	CLD CELL-D-D	1.69	LED COB2x-1766lm-3000K-38°-CRI 85	48 W	WHITE
22180612-6841	CLD CELL-D-D	1.70	LED COB2x-1890lm-4000K-38°-CRI 85	48 W	WHITE



Download
 DXF 2D
 - shop22.dxf
 Montaggi
 - SHOP_PLA rev2.pdf

The reported luminous flux is the flux emitted by the light source with a tolerance of $\pm 10\%$ compared to the indicated value. The W tot column indicates the total wattage absorbed by the system without exceeding 10% of the indicated