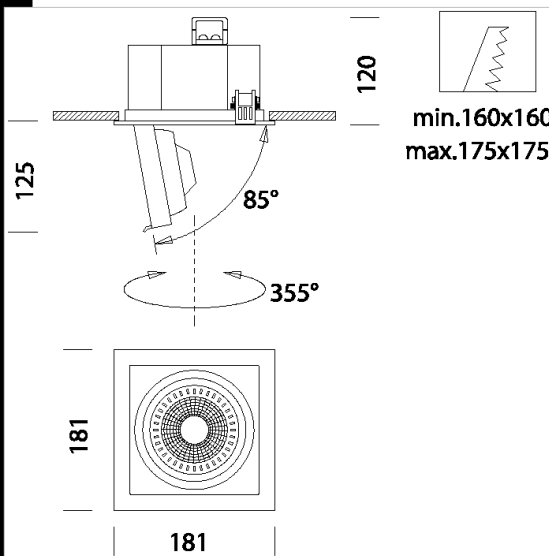


## Shop 1 LED

Housing: in aluminium with adjustable and rotating spotlights.  
 Equipment: complete with springs for false ceilings having a thickness from 1mm to 25 mm.  
 Standards: manufactured pursuant to EN 60598-1-CEI 34.21 standards and with a degree of protection pursuant to EN 60529.  
 DIMM IGBT  
 Power factor:  $\geq 0.95$   
 Luminous flux maintenance 70% 50000h (L70B50)  
 Photobiological safety class: exempt group EN62471.  
 Lower lamp wattages means greater economy, more than 80% saving



Code	Gear	Kg	Lumen Output-K-CRI	WTot	Colour
22180611-00	CLD CELL-DI	0,90	LED COB-1766lm-3000K-38°-CRI 93	19 W	BIANCO
22180611-68	CLD CELL-DI	1,00	LED COB-1890lm-4000K-38°-CRI 93	19 W	BIANCO
22180611-1241	CLD CELL-D-D	0,88	LED COB-1766lm-3000K-38°-CRI 93	20 W	BIANCO
22180611-6841	CLD CELL-D-D	0,88	LED COB-1890lm-4000K-38°-CRI 93	20 W	BIANCO
22180611-09	CLD CELL-DI-E	1,30	LED COB-1766lm-3000K-38°-CRI 93	19 W	BIANCO
22180611-6809	CLD CELL-DI-E	1,30	LED COB-1890lm-4000K-38°-CRI 93	19 W	BIANCO
22180611-31	CLD CELL-DI-E	1,30	LED COB-1766lm-3000K-38°-CRI 93	19 W	BIANCO
22180611-3113	CLD CELL-DI-E	1,30	LED COB-1890lm-4000K-38°-CRI 93	19 W	BIANCO



### Download

DXF 2D  
 - shop11.dxf  
 Montaggi  
 - SHOP\_PLA rev2.pdf

The reported luminous flux is the flux emitted by the light source with a tolerance of  $\pm 10\%$  compared to the indicated value. The W tot column indicates the total wattage absorbed by the system without exceeding 10% of the indicated