



### Download

DXF 2D  
- store3ar.dxf

Montaggi  
- STORE\_LENTI rev2.pdf



## Store 3 - CRI 93

Housing: Sheet steel

Lens: faceted, with high efficiency output and very low glare rate.

Coating: Fluid-coated with a humidity resistant, UV-stabilised acrylic-resin paint, interior part is black and the border is white.

Equipment: Supplied with springs ensuring perfect adherence to 1 to 25 mm thick false ceilings.

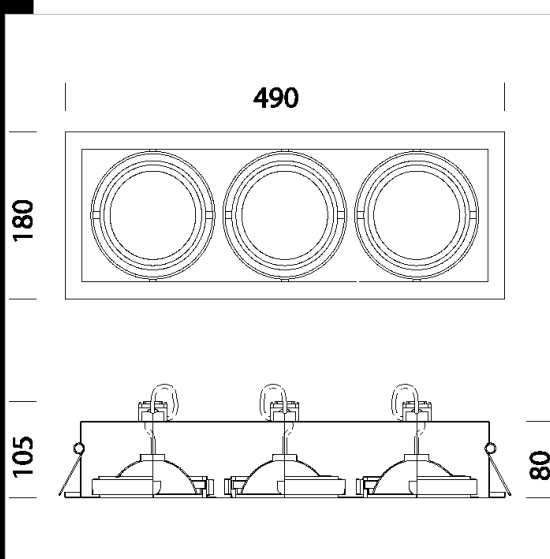
Terminal block: maximum allowed lead cross section 1,5mm<sup>2</sup>

Regulations: Manufactured in accordance with EN 60598-1-CEI 34-21 standards. Degree of protection in accordance with EN60529 standard.

Power factor: 0.95

Photobiological safety class: Exempt group.

Luminous flux maintenance 70%: 50.000h (L70B50).



Code	Gear	Kg	Lumen Output-K-CRI	WTot	Colour
22180512-00	CLD CELL	2,20	LED COB3x-1766lm-3000K-38°-CRI 93	53 W	WHITE
22180572-00	CLD CELL	2,20	LED COB3x-1766lm-3000K-38°-CRI 93	53 W	SILVER
22180512-68	CLD CELL	3,28	LED COB3x-1890lm-4000K-38°-CRI 93	57 W	WHITE
22180572-68	CLD CELL	2,20	LED COB3x-1890lm-4000K-38°-CRI 93	57 W	SILVER
22180512-1241	CLD CELL-D-D	2,50	LED COB3x-1766lm-3000K-38°-CRI 93	57 W	WHITE
22180572-1241	CLD CELL-D-D	2,50	LED COB3x-1766lm-3000K-38°-CRI 93	57 W	SILVER
22180512-6841	CLD CELL-D-D	3,40	LED COB3x-1890lm-4000K-38°-CRI 93	57 W	WHITE
22180572-6841	CLD CELL-D-D	2,50	LED COB3x-1890lm-4000K-38°-CRI 93	57 W	SILVER
22180512-09	CLD CELL-E	3,79	LED COB3x-1766lm-3000K-38°-CRI 93	53 W	WHITE
22180572-09	CLD CELL-E	2,90	LED COB3x-1766lm-3000K-38°-CRI 93	57 W	SILVER
22180512-6809	CLD CELL-E	2,90	LED COB3x-1890lm-4000K-38°-CRI 93	567 W	WHITE
22180572-6809	CLD CELL-E	2,90	LED COB3x-1890lm-4000K-38°-CRI 93	57 W	SILVER
22180512-31	CLD CELL-E	2,90	LED COB3x-1766lm-3000K-38°-CRI 93	57 W	WHITE
22180572-31	CLD CELL-E	2,90	LED COB3x-1766lm-3000K-38°-CRI 93	57 W	SILVER
22180512-3113	CLD CELL-E	2,90	LED COB3x-1890lm-4000K-38°-CRI 93	57 W	WHITE
22180572-3113	CLD CELL-E	2,90	LED COB3x-1890lm-4000K-38°-CRI 93	57 W	SILVER

The reported luminous flux is the flux emitted by the light source with a tolerance of ± 10% compared to the indicated value. The W tot column indicates the total wattage absorbed by the system without exceeding 10% of the indicated