



### Download

DXF 2D  
- store2ar.dxf

Montaggi  
- STORE\_LENTI rev2.pdf



## Store 2 - CRI 93

Housing: Sheet steel

Lens: faceted, with high efficiency output and very low glare rate.

Coating: Fluid-coated with a humidity resistant, UV-stabilised acrylic-resin paint, interior part is black and the border is white .

Equipment: Supplied with springs ensuring perfect adherence to 1 to 25 mm thick false ceilings.

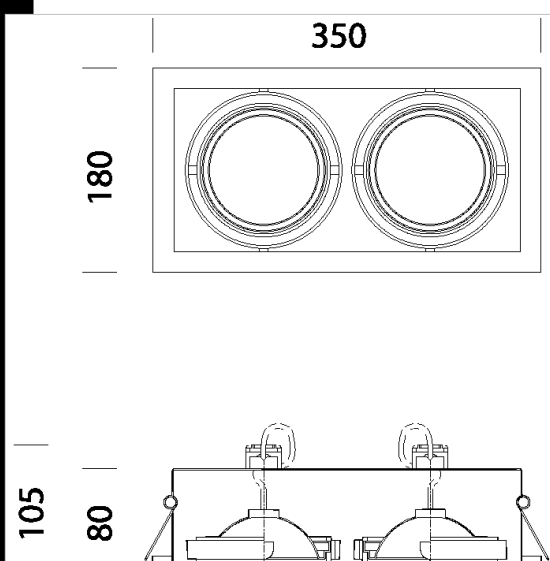
Terminal block: maximum allowed lead cross section 1,5mm<sup>2</sup>

Regulations: Manufactured in accordance with EN 60598-1-CEI 34-21 standards. Degree of protection in accordance with EN60529 standard.

Power factor: 0.95

Photobiological safety class: Exempt group.

Luminous flux maintenance 70%: 50.000h (L70B50).



Code	Gear	Kg	Lumen Output-K-CRI	WTot	Colour
22180511-00	CLD CELL	1,50	LED COB2x-1766lm-3000K-38°-CRI 93	35 W	WHITE
22180571-00	CLD CELL	0,90	LED COB2x-1766lm-3000K-38°-CRI 93	35 W	SILVER
22180511-68	CLD CELL	1,74	LED COB2x-1890lm-4000K-38°-CRI 93	38 W	WHITE
22180571-68	CLD CELL	1,80	LED COB2x-1890lm-4000K-38°-CRI 93	38 W	SILVER
22180511-1241	CLD CELL-D-D	1,80	LED COB2x-1766lm-3000K-38°-CRI 93	38 W	WHITE
22180571-1241	CLD CELL-D-D	1,72	LED COB2x-1766lm-3000K-38°-CRI 93	35 W	SILVER
22180511-6841	CLD CELL-D-D	1,80	LED COB2x-1890lm-4000K-38°-CRI 93	38 W	WHITE
22180571-6841	CLD CELL-D-D	1,80	LED COB2x-1890lm-4000K-38°-CRI 93	38 W	SILVER
22180511-09	CLD CELL-E	2,30	LED COB2x-1766lm-3000K-38°-CRI 93	38 W	WHITE
22180571-09	CLD CELL-E	2,30	LED COB2x-1766lm-3000K-38°-CRI 93	38 W	SILVER
22180511-6809	CLD CELL-E	2,30	LED COB2x-1890lm-4000K-38°-CRI 93	38 W	WHITE
22180571-6809	CLD CELL-E	2,30	LED COB2x-1890lm-4000K-38°-CRI 93	38 W	SILVER
22180511-31	CLD CELL-E	2,30	LED COB2x-1766lm-3000K-38°-CRI 93	38 W	WHITE
22180571-31	CLD CELL-E	2,30	LED COB2x-1766lm-3000K-38°-CRI 93	38 W	SILVER
22180511-3113	CLD CELL-E	2,30	LED COB2x-1890lm-4000K-38°-CRI 93	38 W	WHITE
22180571-3113	CLD CELL-E	2,30	LED COB2x-1890lm-4000K-38°-CRI 93	38 W	SILVER

The reported luminous flux is the flux emitted by the light source with a tolerance of  $\pm 10\%$  compared to the indicated value. The W tot column indicates the total wattage absorbed by the system without exceeding 10% of the indicated