



Download

DXF 2D
- store1ar.dxf

Montaggi
- STORE_LENTI_rev2.pdf



Store 1 - CRI 93

Housing: Sheet steel

Lens: faceted, with high efficiency output and very low glare rate.

Coating: Fluid-coated with a humidity resistant, UV-stabilised acrylic-resin paint, interior part is black and the border is white.

Equipment: Supplied with springs ensuring perfect adherence to 1 to 25 mm thick false ceilings.

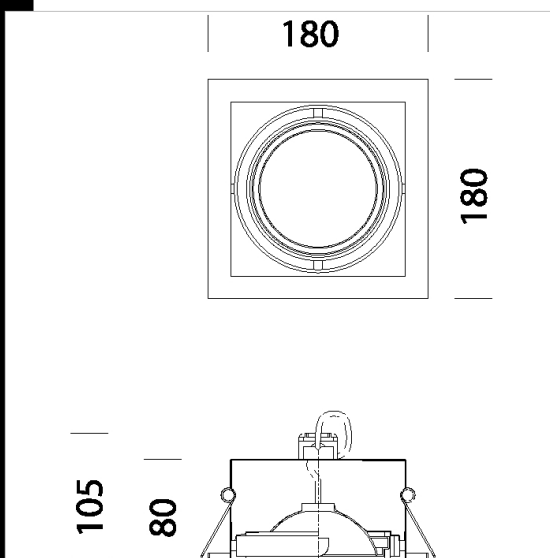
Terminal block: maximum allowed lead cross section 1,5mm²

Regulations: Manufactured in accordance with EN 60598-1-CEI 34-21 standards. Degree of protection in accordance with EN60529 standard.

Power factor: 0.95

Photobiological safety class: Exempt group.

Luminous flux maintenance 70%: 50.000h (L70B50).



Code	Gear	Kg	Lumen Output-K-CRI	WTot	Colour
22180510-00	CLD CELL	0,95	LED COB-1766lm-3000K-38°-CRI 93	18 W	WHITE
22180570-00	CLD CELL	0,90	LED COB-1766lm-3000K-38°-CRI 93	18 W	SILVER
22180510-68	CLD CELL	1,02	LED COB-1890lm-4000K-38°-CRI 93	19 W	WHITE
22180570-68	CLD CELL	0,98	LED COB-1890lm-4000K-38°-CRI 93	19 W	SILVER
22180510-1241	CLD CELL-D-D	0,98	LED COB-1766lm-3000K-38°-CRI 93	18 W	WHITE
22180570-1241	CLD CELL-D-D	1,00	LED COB-1766lm-3000K-38°-CRI 93	19 W	SILVER
22180510-6841	CLD CELL-D-D	0,98	LED COB-1890lm-4000K-38°-CRI 93	19 W	WHITE
22180570-6841	CLD CELL-D-D	1,00	LED COB-1890lm-4000K-38°-CRI 93	19 W	SILVER
22180510-09	CLD CELL-E	1,50	LED COB-1766lm-3000K-38°-CRI 93	19 W	WHITE
22180570-09	CLD CELL-E	1,50	LED COB-1766lm-3000K-38°-CRI 93	19 W	SILVER
22180510-6809	CLD CELL-E	1,50	LED COB-1890lm-4000K-38°-CRI 93	19 W	WHITE
22180570-6809	CLD CELL-E	1,50	LED COB-1890lm-4000K-38°-CRI 93	19 W	SILVER
22180510-31	CLD CELL-E	1,50	LED COB-1766lm-3000K-38°-CRI 93	19 W	WHITE
22180570-31	CLD CELL-E	1,50	LED COB-1766lm-3000K-38°-CRI 93	19 W	SILVER
22180510-3113	CLD CELL-E	1,50	LED COB-1890lm-4000K-38°-CRI 93	19 W	WHITE
22180570-3113	CLD CELL-E	1,50	LED COB-1890lm-4000K-38°-CRI 93	19 W	SILVER

The reported luminous flux is the flux emitted by the light source with a tolerance of $\pm 10\%$ compared to the indicated value. The W tot column indicates the total wattage absorbed by the system without exceeding 10% of the indicated