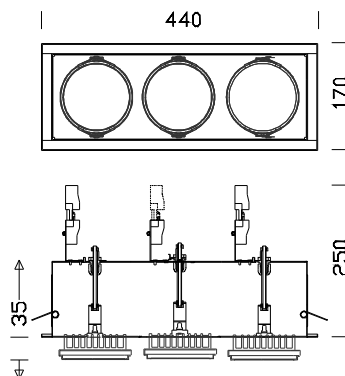
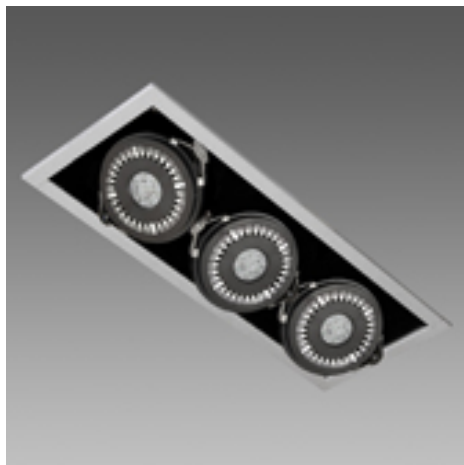


Shop 3 LED AR111



Code	Gear	Kg	Colour	Dimensions	lamp
22180178-00	CLD S+L	2.10	met. silver	440x170x120	AR111 LED-GU10-550lm-3000K - 45000h - 25°-Ra 82

These adjustable-angle recessed fixtures offer the possibility to move the lamps out of the alignment box (extension system), thus increasing their aiming flexibility.

Ideal in shops, showrooms and exhibition rooms.

Housing: Steel plate.

Coating: Humidity resistant acrylic-resin liquid paint, UV-stabilised.

Electric gear: Equipped with transformer and hard wire, 0.50 sqmm cross section and heat resistance HT sheath, in accordance with CEI 20-20 standards. Terminal block (maximum allowed lead cross section 2.5 sqmm.)

Regulations: Manufactured in accordance with standards EN60598 - CEI 34 -21. Degree of protection in accordance with standards EN60529.

LED: 550lm - 3000K - CRI 82 - 25°